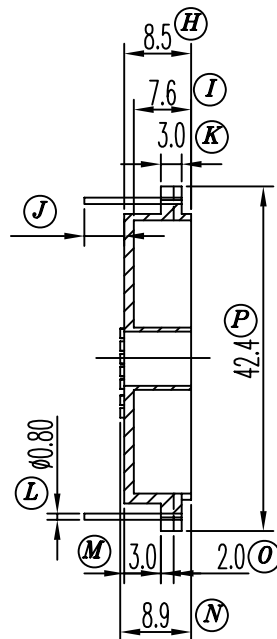
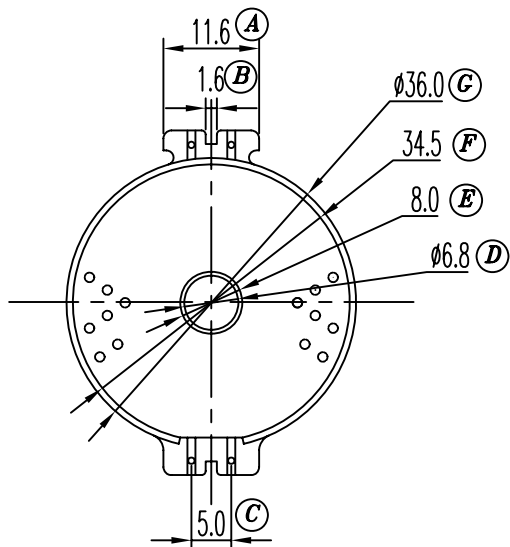
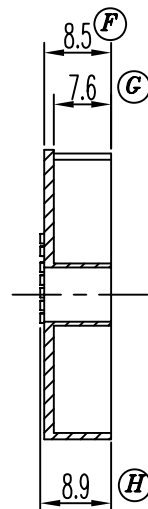
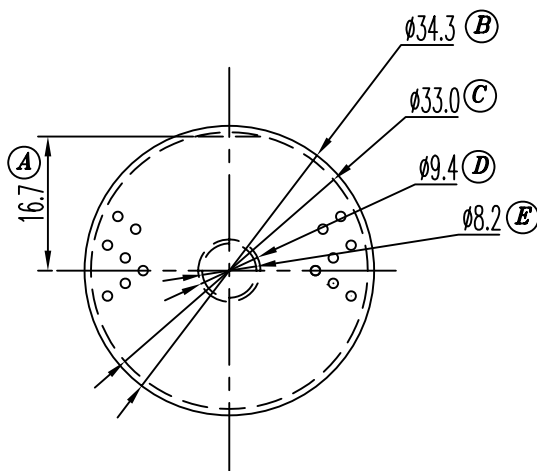


(A)



(B)



REV.	REVISION RECORD	DATE	REV.	REVISION RECORD	DATE
A			C		
B			D		

NAME	3119*7A.B-1	MATERIAL	PBT	SCALE	1/1	ANGLE:	±1°
DRAWING NO.	HY CO21	PIN MATERIAL	CP WIRE	UNIT	m/m	REV.:	A
TOLERANCE OF PIN PITCH	±0.20						
PIN TENSION LOAD	1.0kg MIN	UL REC.:	94V-0				
TOLERANCES:	0<L≤4:±0.1	4<L≤16:±0.2	16<L≤63:±0.3				



信詠塑膠工業股份有限公司
 HSIN YUNG PLASTIC INDUSTRIAL CO.,LTD.
 TEL:886-2-29953711 FAX:886-2-29990010
 信詠塑膠電子廠
 HSIN YUNG PLASTIC ELECTRONICS FACTORY
 TEL:0769-6632011 FAX:0769-6635843