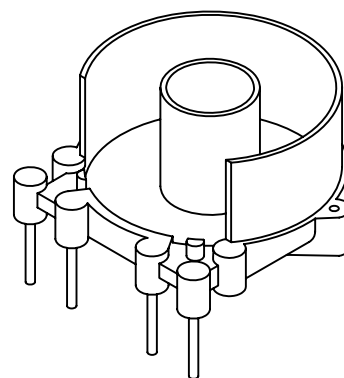
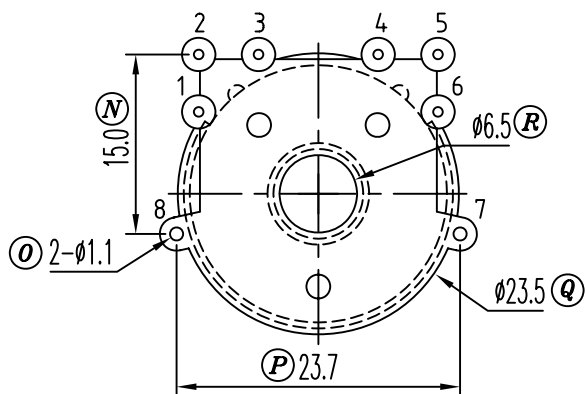
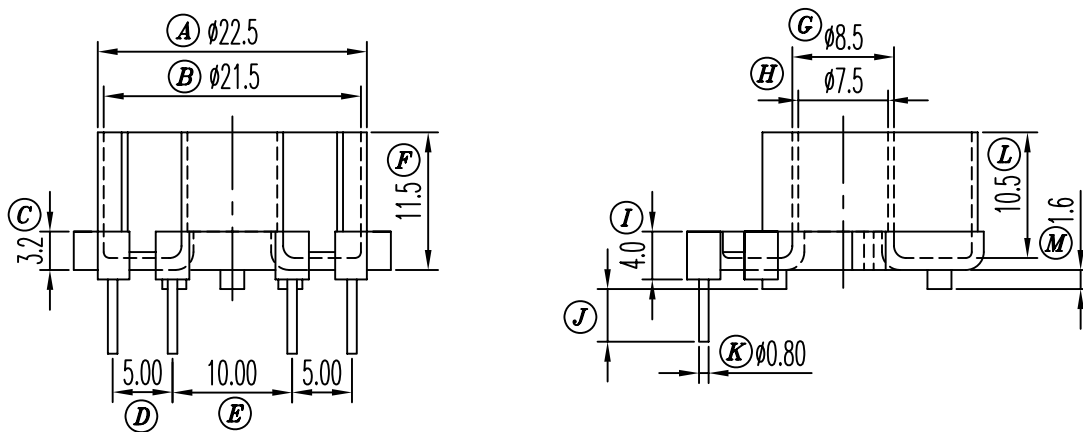
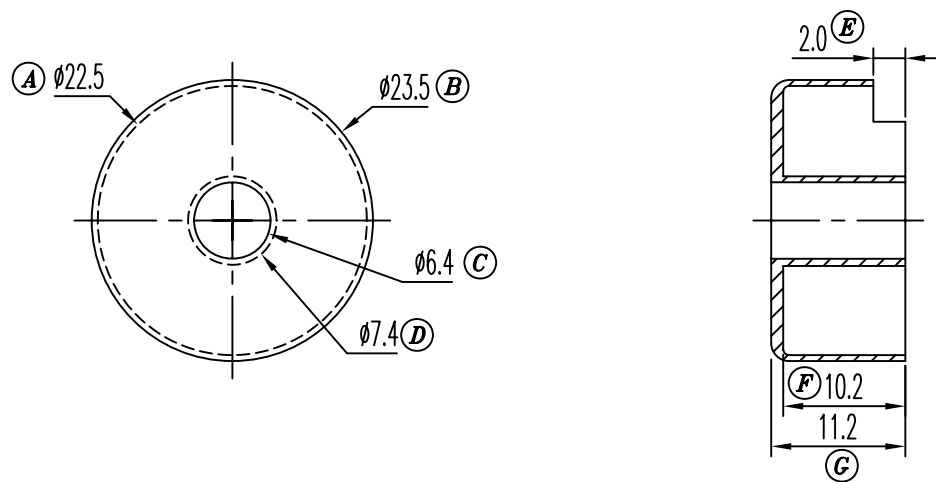


(B) 基座



(A) 外殼



REV.	REVISION RECORD	DATE	REV.	REVISION RECORD	DATE
A			C		
B			D		

NAME	T20*10*9 (8P)	MATERIAL	PBT	SCALE	2/1	ANGLE:	$\pm 1^\circ$
DRAWING NO.	HY C018	PIN MATERIAL	CP WIRE	UNIT	m/m	REV.:	A
TOLERANCE OF PIN PITCH	± 0.20						
PIN TENSION LOAD	1.0kg MIN	UL REC.:94V-0					
TOLERANCES:	$0 < L \leq 4: \pm 0.1$	$4 < L \leq 16: \pm 0.2$	$16 < L \leq 63: \pm 0.3$				



信詠塑膠工業股份有限公司
 HSIN YUNG PLASTIC INDUSTRIAL CO.,LTD.
 TEL:886-2-29953711 FAX:886-2-29990010
 信詠塑膠電子廠
 HSIN YUNG PLASTIC ELECTRONICS FACTORY
 TEL:0769-6632011 FAX:0769-6635843