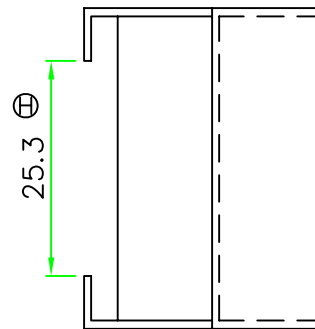
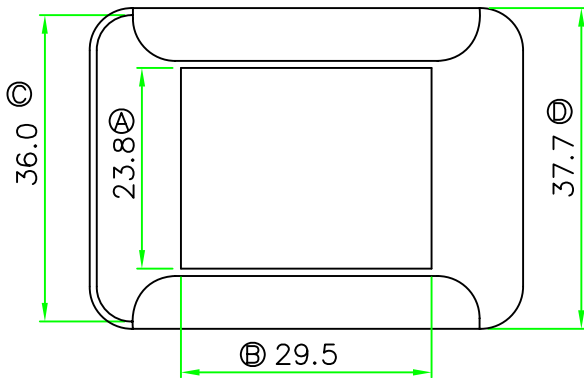
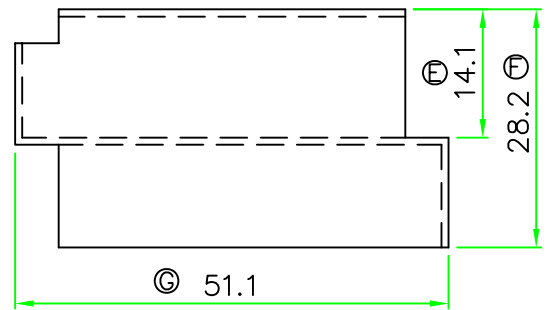
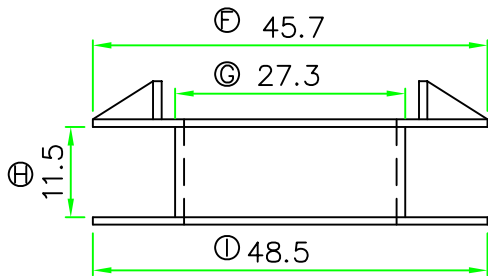
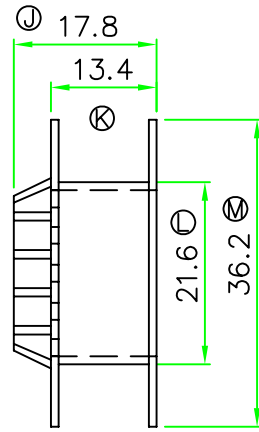
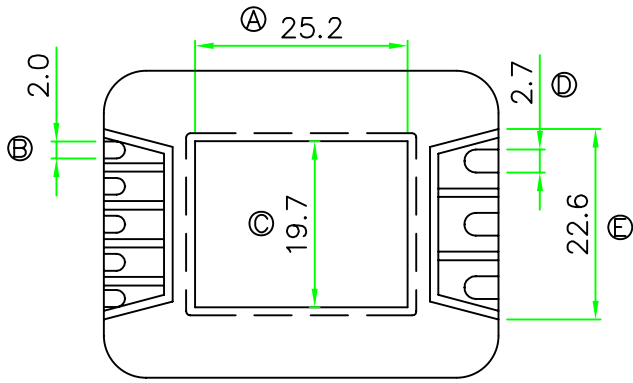



(A)



(B)

REV	REV DESCRIPTION	REV	REV DESCRIPTION

BOBBIN MATERIAL: NYLON	UL REC. 94V-2	ANGLE: +/-1°	TITLE: EI-57*24.5(VDE)	DRAWING NO. JJ-5701
PIN MATERIAL:	PIN TENSION LOAD:	UNIT: m/m	TOLERANCES X.X ±0.3 X.XX ±0.2	DRAWN: PING LEI
 蘇州正傑塑膠電子有限公司 Tel: 0512-63457130 Fax: 0512-63457132 Add: 江苏省吴江市经济开发区江陵西路		SCALE: 1/1	DATE: OCT.15.2000	REV. 0
			APPROVED:	