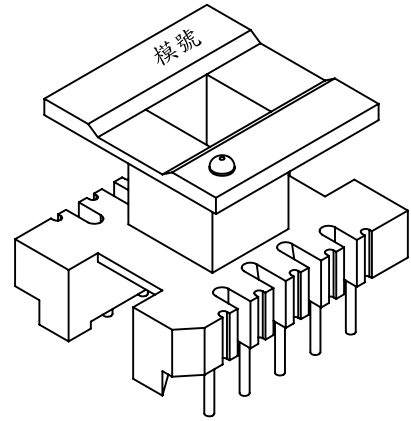
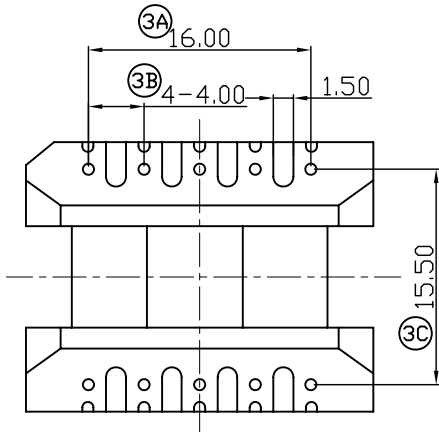
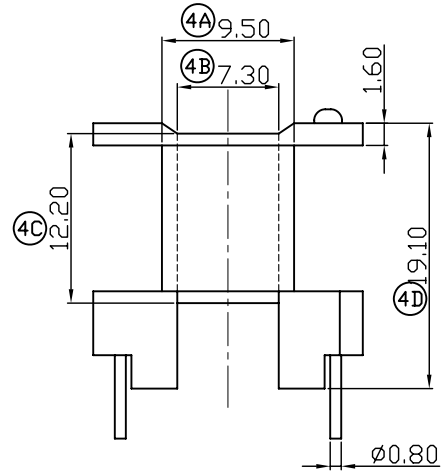
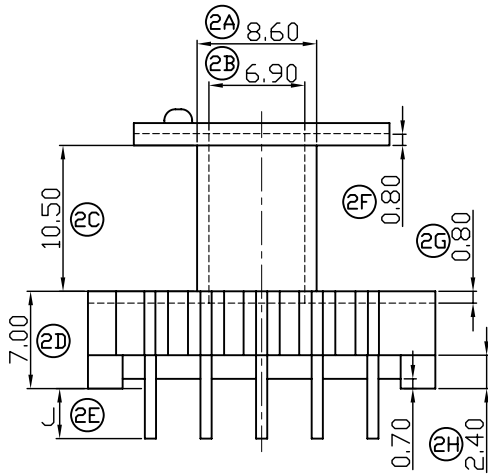
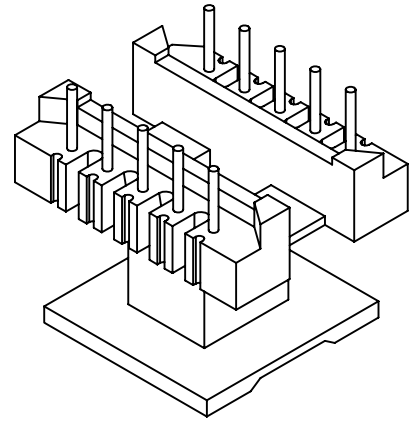
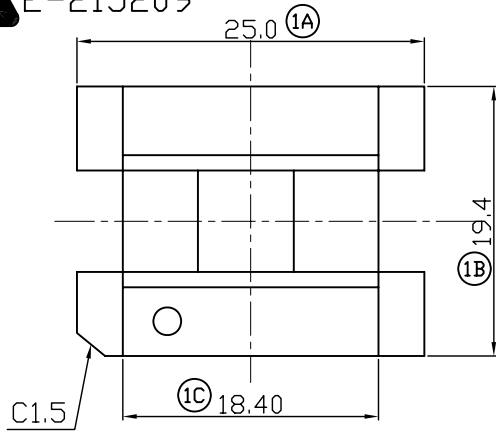


® **AL** E-215209



REV	CHANGED CAUSES	CHANGED DATE	REV	CHANGED CAUSES	CHANGED DATE
1	圖面更新	2006-08-17			

BOBBIN MATERIAL: PHENOLIC(T375J)	UL REC: 94V-0	ANGLE: ±1°	TITLE: EE25 立式(10P)	DRAWING NO: JJ2513	DRAWN: 錢軍
PIN MATERIAL: CP WIRE	PIN TENSION LIAD: 1.0KG MIN	UNIT: M/M	TOLERANCES		CHECKED: <b>雷海豐</b>

**蘇州正傑塑膠電子有限公司**  
 TEL: 0512-63457130 FAX: 0512-63457132  
 ADD: 江蘇省吳江市經濟開發區江陵西路

SCALE: 2:1

	X.X	X.XX
0-10	± 0.2	± 0.08
10-20	± 0.3	± 0.15
ABOVE 20	± 0.5	± 0.25

DATE: 2006-08-17 REV: 1

APPROVED: **雷海豐** 經理  
 2006.08.18  
 曹炳運