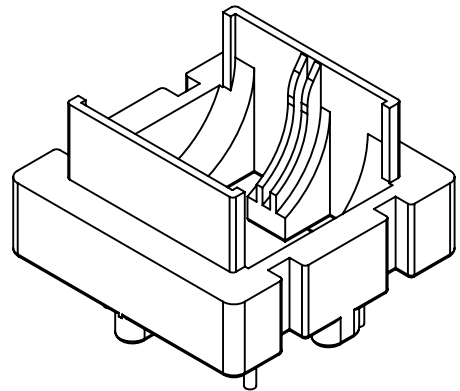
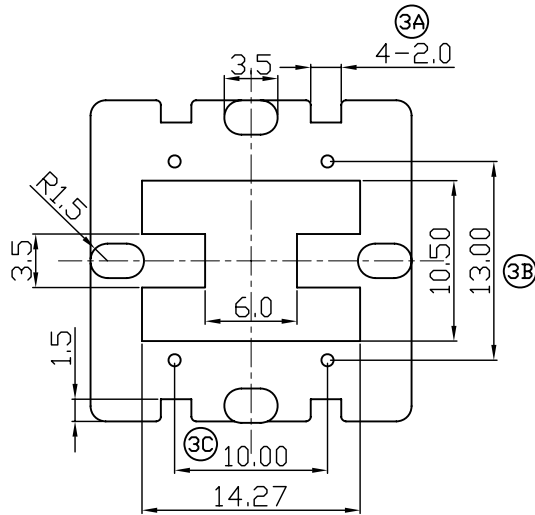
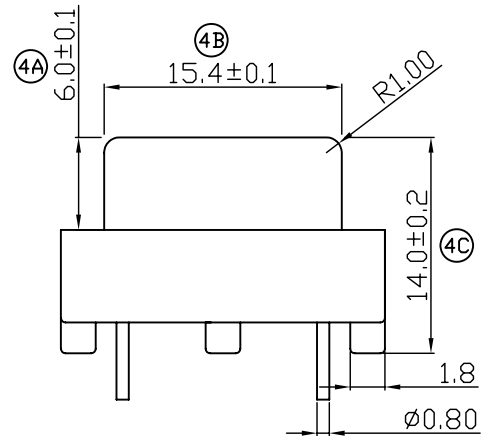


A放大 3:1



REV	CHANGED CAUSES	CHANGED DATE	REV	CHANGED CAUSES	CHANGED DATE
1	圖面更新	2006-08-07			

BOBBIN MATERIAL: PHENOLIC(PM8375)	UL REC: 94V-0	ANGLE: ±1°	TITLE: ET20臥式(14P)	DRAWING NO: JJ2011	DRAWN: 雷海豐								
PIN MATERIAL: CP WIRE	PIN TENSION LIAD: 1.5KG MIN	UNIT: M/M	TOLERANCES		CHECKED: 雷海豐								
蘇州正傑塑膠電子有限公司 TEL: 0512-63457130 FAX: 0512-63457132 ADD: 江蘇省吳江市經濟開發區江陵西路			SCALE: 2:1	<table border="1"> <tr> <td>X.X</td> <td>X.XX</td> </tr> <tr> <td>0-10 ± 0.2</td> <td>± 0.08</td> </tr> <tr> <td>10-20 ± 0.3</td> <td>± 0.15</td> </tr> <tr> <td>ABOVE20 ± 0.5</td> <td>± 0.25</td> </tr> </table>	X.X	X.XX	0-10 ± 0.2	± 0.08	10-20 ± 0.3	± 0.15	ABOVE20 ± 0.5	± 0.25	APPROVED: 經理
			X.X	X.XX									
0-10 ± 0.2	± 0.08												
10-20 ± 0.3	± 0.15												
ABOVE20 ± 0.5	± 0.25												
			DATE: 2006-08-07	REV: 1	2006.08.12 曹炳運								