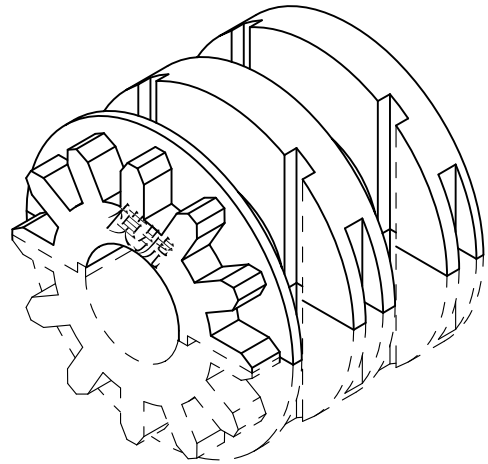
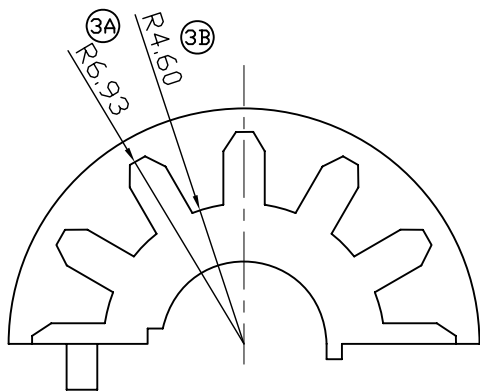
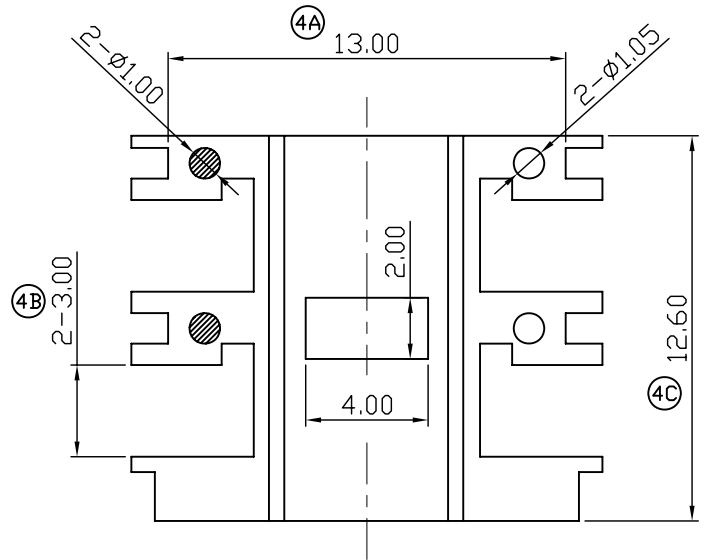
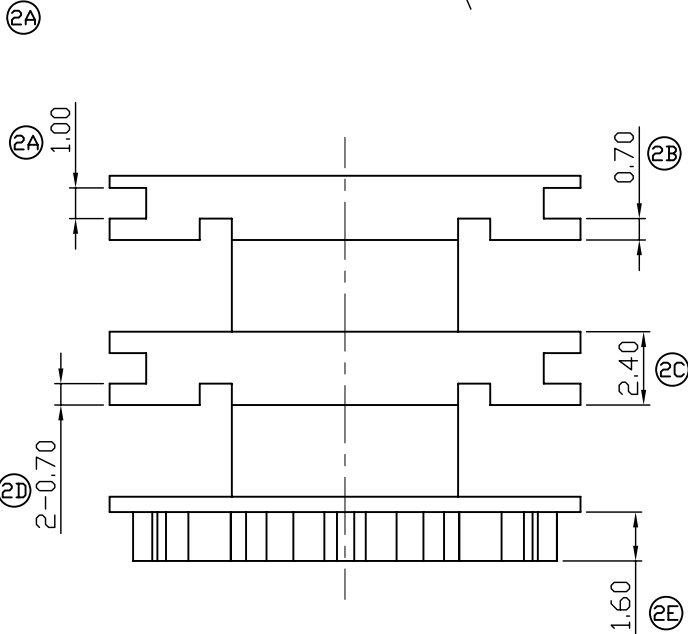
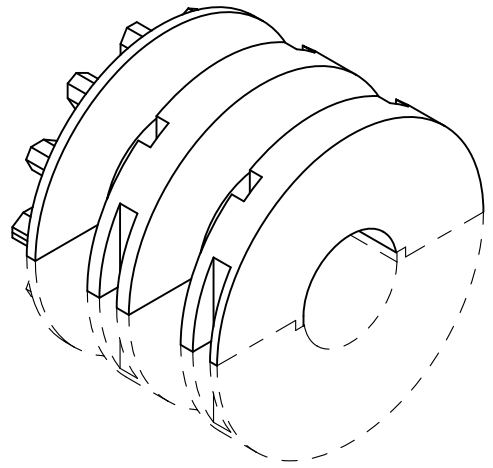
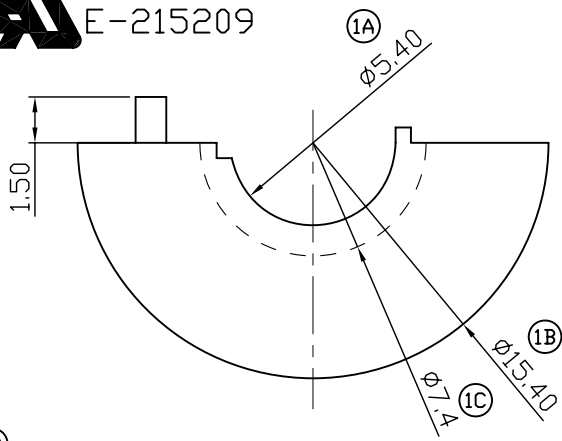


® **AL** E-215209



REV	CHANGED CAUSES	CHANGED DATE	REV	CHANGED CAUSES	CHANGED DATE
1	圖面更新	2006-08-07			

BOBBIN MATERIAL: PBT(4815)	UL REC: 94V-0	ANGLE: ±1°	TITLE: ET20 輪軸兩槽	DRAWING NO: JJ2008	DRAWN: 雷海豐
PIN MATERIAL:	PIN TENSION LIAD:	UNIT: M/M	TOLERANCES		CHECKED: 雷海豐



蘇州正傑塑膠電子有限公司

TEL: 0512-63457130 FAX: 0512-63457132  
ADD: 江蘇省吳江市經濟開發區江陵西路

SCALE:  
4:1

	X.X	X.XX
0-10	± 0.2	± 0.08
10-20	± 0.3	± 0.15
ABOVE 20	± 0.5	± 0.25

DATE:  
2006-08-07

REV:  
1

APPROVED: 經理  
2006.08.13  
曹炳運