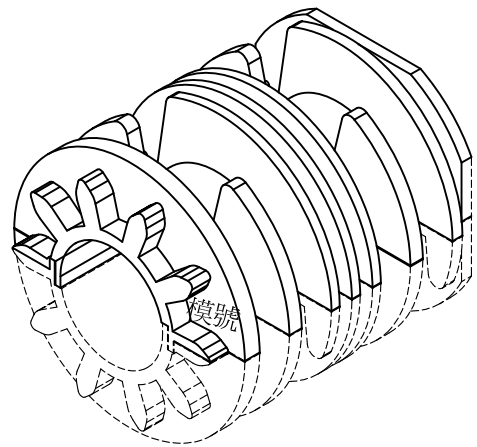
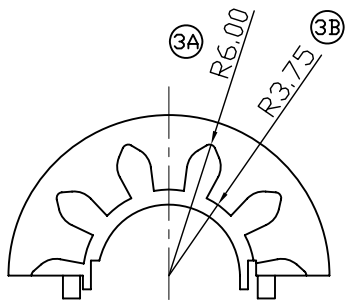
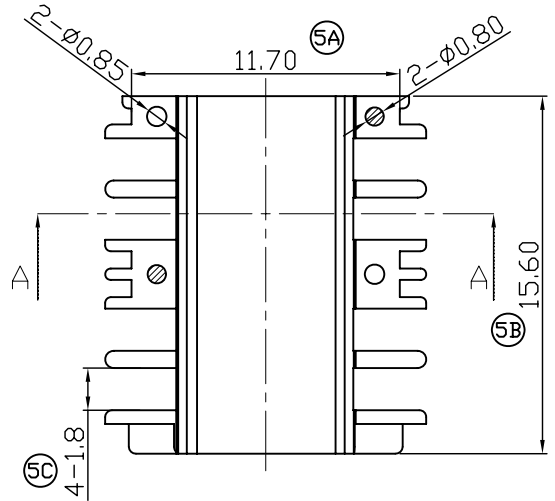
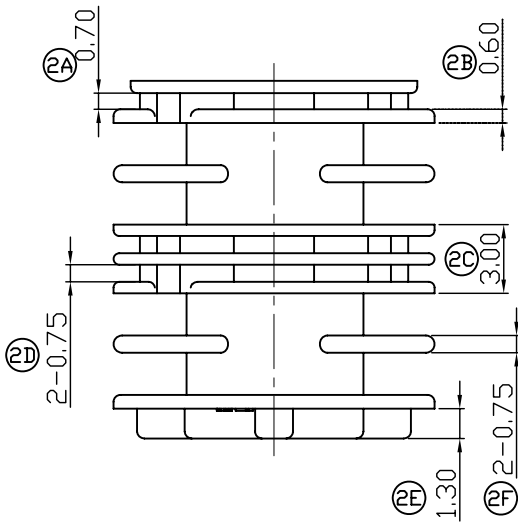


SECTION A-A



REV	CHANGED CAUSES	CHANGED DATE	REV	CHANGED CAUSES	CHANGED DATE
1	圖面更新	2006-08-12			

BOBBIN MATERIAL: PBT(4815)	UL REC: 94V-0	ANGLE: $\pm 1^\circ$	TITLE: ET20 輪軸四槽	DRAWING NO: JJ2005	DRAWN: 雷海豐
PIN MATERIAL:	PIN TENSION LIAD:	UNIT: M/M	TOLERANCES		CHECKED: 雷海豐

**蘇州正傑塑膠電子有限公司**  
 TEL: 0512-63457130 FAX: 0512-63457132  
 ADD: 江蘇省吳江市經濟開發區江陵西路

SCALE: 3:1

	X.X	X.XX
0-10	$\pm 0.2$	$\pm 0.08$
10-20	$\pm 0.3$	$\pm 0.15$
ABOVE 20	$\pm 0.5$	$\pm 0.25$

DATE: 2006-08-12 REV: 1

APPROVED: 經理  
 2006.08.13  
 曹炳運