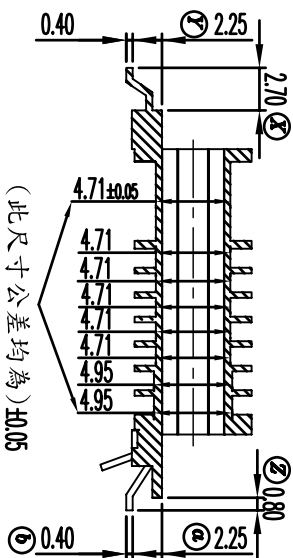
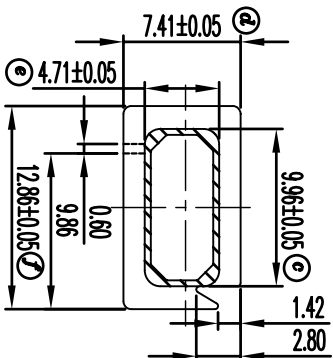


(此尺寸公差均為) ±0.05

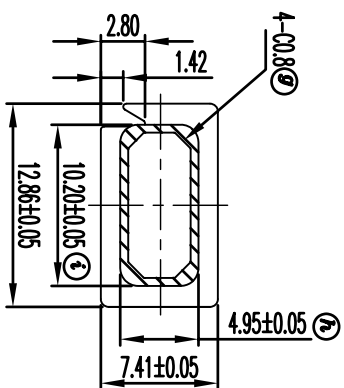


(此尺寸公差均為) ±0.05

SECTION A-A



SECTION B-B



SECTION C-C

REV.	REVISION RECORD	DATE	REV.	REVISION RECORD	DATE

NAME	EFD-20L SMD (11P)	MATERIAL	LCPR(E4008)	SCALE	2/1	ANGLE	±1°
DRAWING NO.	HY S2001	PIN MATERIAL	PHOSPHOR BRONZE	UNIT	m/m	REV.:	A
UL REC.:	94V-0	PIN TENSION LOAD:	0.8kg MIN				
TOLERANCES	0.4(10±0.1) 10(1.20±0.15) 20(1.40±0.2)						
	PIN PITCH:±0.2 WALL THICKNESS:±0.05						

	信詠塑膠工業股份有限公司 XINYING PLASTIC ELECTRONICS CO.,LTD. TEL:886-2-29953711 FAX:886-2-299990010 信詠塑膠電子廠 XINYING PLASTIC ELECTRONICS FACTORY TEL:886-2-29953711 FAX:886-2-299990010
--	--