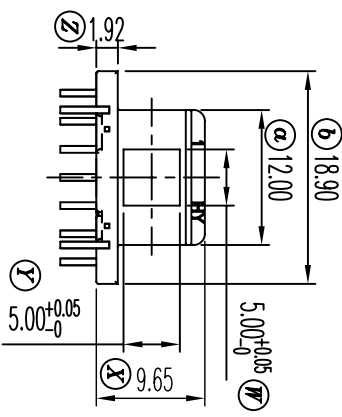
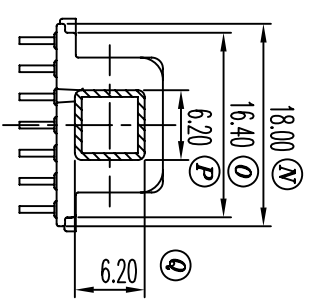


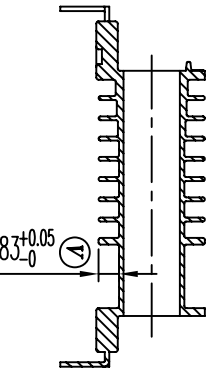
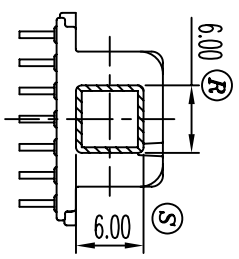
SECTION B-B



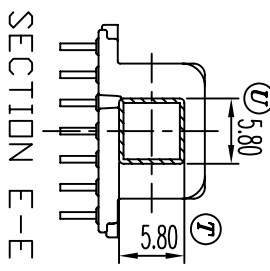
SECTION C-C



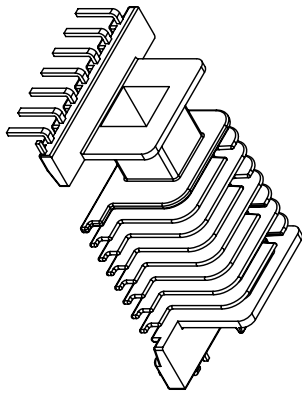
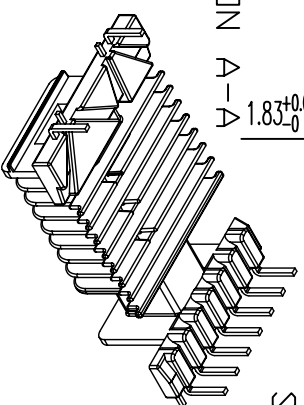
SECTION D-D



SECTION A-A



SECTION E-E



注意：需要與HYS1911做組裝測試，松緊度為輕松套進拿出。

REV.	REVISION RECORD	DATE	REV.	REVISION RECORD	DATE
A			C		
B			D		

NAME	EEL-19-4S(INDC形PIN) (9P)		MATERIAL	LCP(E4008)	
DRAWING NO.	HY S1910-1	PIN MATERIAL	PHOSPHOR BRONZE	SCALE	2/1
UL REC.:94V-0	PIN TENSION LOAD: 0.8kg MIN			UNIT	m/m
TOLERANCES	0<math>k</math>10:±0.1 10<math>k</math>20:±0.15 20<math>k</math>40:±0.2			ANGLE:	±1°
	PIN PITCH:±0.2 WALL THICKNESS:±0.05			REV.:	A


 信詠塑膠工業股份有限公司  
 Hsin-Yong Plastic Industrial Co., Ltd.  
 TEL: 886-2-29935711 FAX: 886-2-29990010  
 Hsin-Yong Plastic Industrial Co., Ltd.  
 TEL: 886-2-29935711 FAX: 886-2-29990010