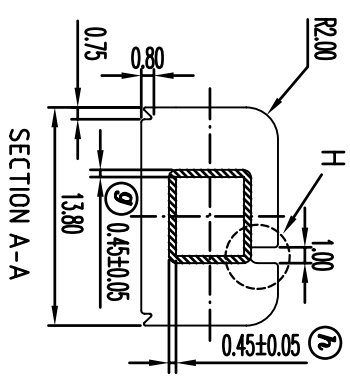
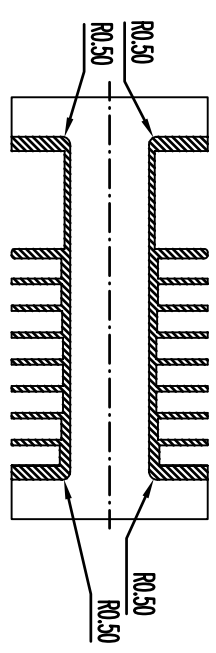


SECTION B-B



SECTION A-A



SECTION C-C

REV.	REVISION RECORD	DATE	REV.	REVISION RECORD	DATE
A	① 5.70 → ② 5.00	2002.15	C	④ 0.30 → ③ 0.35 → ⑤ 1.49 → 1.44	2003.65
B	⑥ 5.70 → ⑦ 5.90 → ⑧ 5.00 → ⑨ 5.20	2003.48	D		

NAME	BEL-19-ISMVD (9P)	MATERIAL	LCP(E4008)	PHOSPOR	BRONZE	SCALE	2/1	ANGLE	±1°
DRAWING NO.	HY S1904	PIN MATERIAL				UNIT	m/m	REV.:	C
UL REC.94V-0	PIN TENION LOAD: 0.8kg	MIN							
TOLERANCES	0<1<10±0.1	10<1<20±0.15	20<1<40±0.2						
	PIN PITCH±0.2	WALL THICKNESS±0.05							



信詠塑膠工業股份有限公司
HSIN YUNG PLASTIC INDUSTRIAL CO. LTD.
TEL:886-2-29953711 FAX:86-2-29990010
信詠塑膠電子廠
HSIN YUNG PLASTIC ELECTRONICS FACTORY
TEL:07-69-6632011 FAX:07-69-6635843