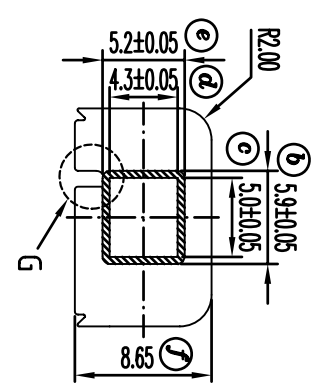
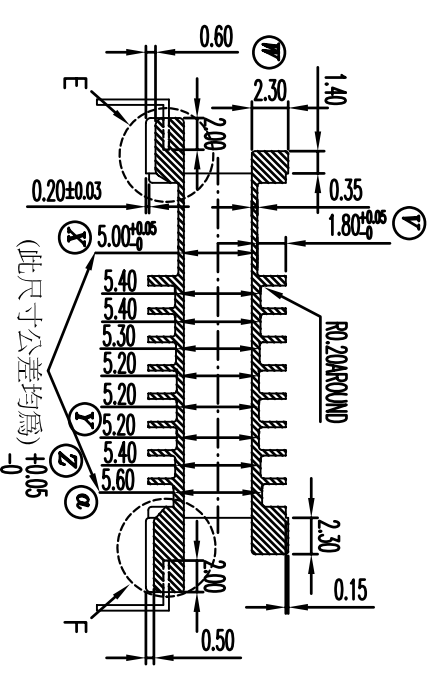
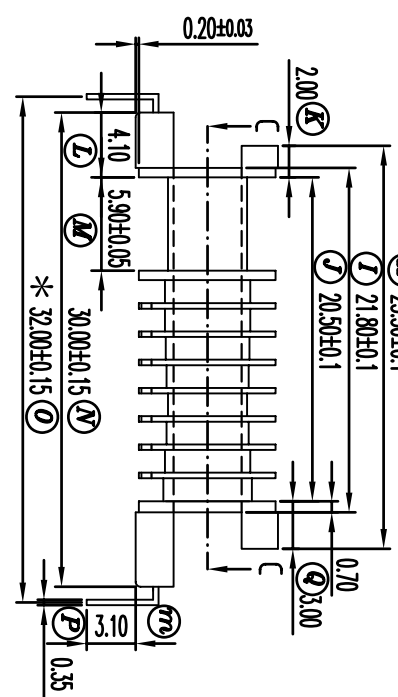
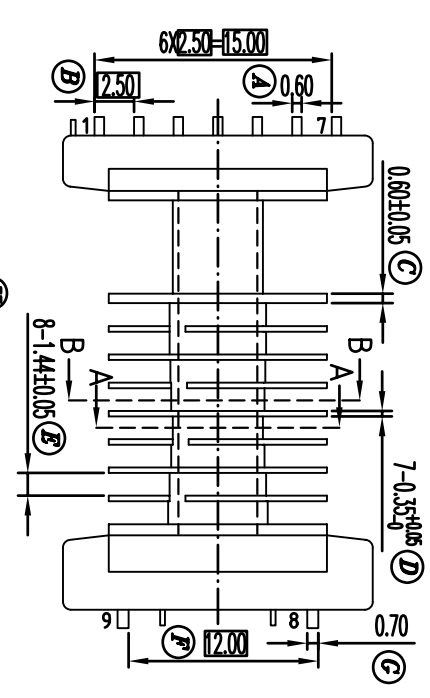
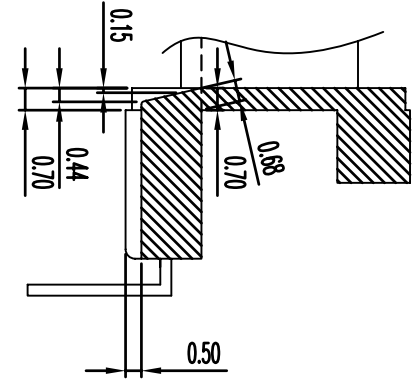
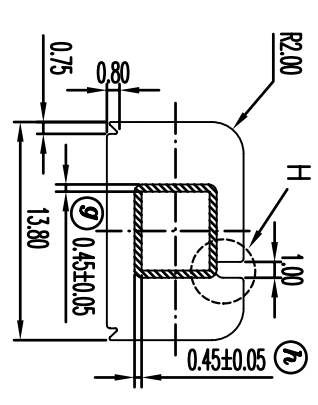


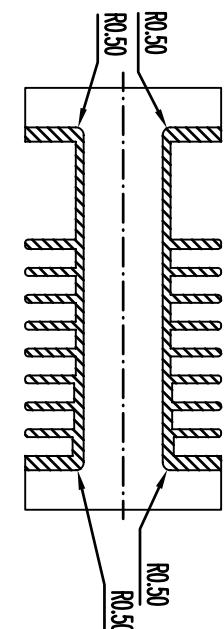
SECTION I-I



SECTION B-B

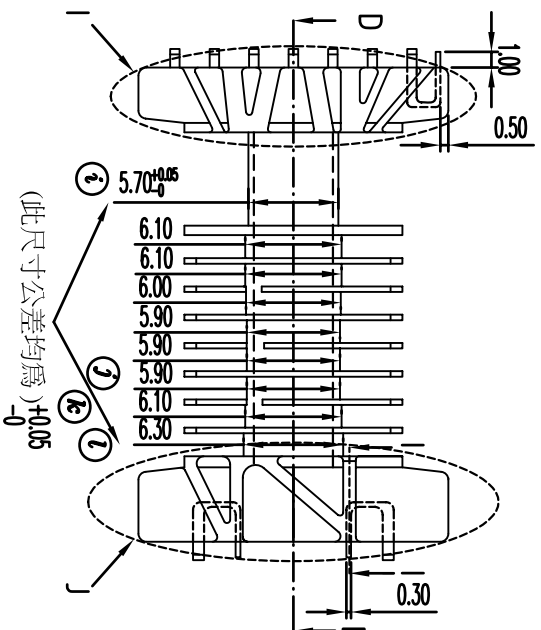


SECTION A-A



SECTION C-C

專供台灣



(此尺寸公差均為) +0.05
-0

REV.	REVISION RECORD	DATE	REV.	REVISION RECORD	DATE
A	5.70	5.00	C	0.30 → 0.35	2003.6.5
B	5.70	5.90	D	1.49 → 1.44	

NAME	MATERIAL	SCALE	ANGLE
EEI-19-1(SMD)(L形PIN)(9P)	LCPI(E4008)	2/1	±1°
DRAWING NO.	PIN MATERIAL	UNIT	REV.:
HY S1904-4	PHOSPHOR BRONZE	m/m	C
UL REC.:	PIN TENION LOAD:		
394-0	0.8kg		
TOLERANCES			
0<k<10±0.1 10<k<20±0.15 20<k<40±0.2			
PIN PITCH:	WALL THICKNESS:		
±0.2	±0.05		

	信詠塑膠工業股份有限公司 Hsin Ying Plastic Industrial Co., Ltd. TEL: 886-2-29953711 FAX: 86-2-29990010 信詠塑膠電子廠 Hsin Ying Plastic Electronics Factory TEL: 07-69-6632011 FAX: 07-69-6633843
--	---