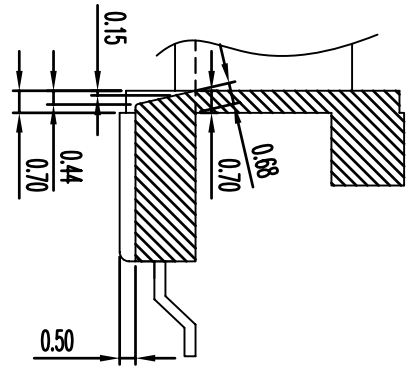
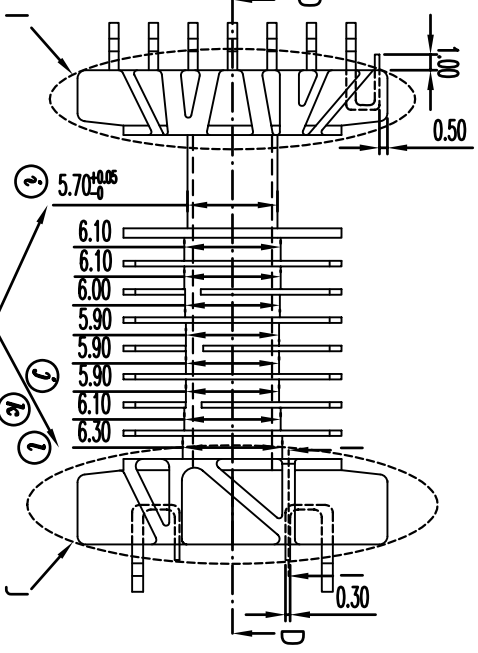


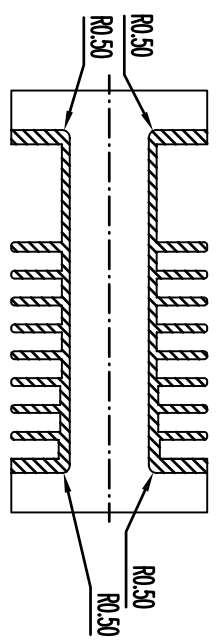
SECTION I-I



(此尺寸公差均為 -0)



SECTION C-C



REV.	REVISION RECORD	DATE	REV.	REVISION RECORD	DATE
A	5.70 → 5.00		C	0.30 → 0.35	2003.6.5
B	5.70 → 5.90		D	1.49 → 1.44	

NAME	EEI-19-ISM(D/反翘(VP))	MATERIAL	LCP(E400S)	SCALE	2/1	ANGLE	±1°
DRAWING NO.	HY S1904-3	PIN MATERIAL	PHOSPHOR BRONZE	UNIT	m/m	REV.	C
UL REC.394-0	PIN TENION LOAD: 0.8kg	MIN					
TOLERANCES	0<K10±0.1	10<K20±0.15	20<K40±0.2				
	PIN PITCH:±0.2	WALL THICKNESS:±0.05					

信詠塑膠工業股份有限公司
HSIN YING PLASTIC INDUSTRIAL CO., LTD.
TEL:886-2-29953711 FAX:86-2-29990010
信詠塑膠電子廠
HSIN YING ELASTIC ELECTRONICS FACTORY
TEL:07-69-6632011 FAX:07-69-6633843