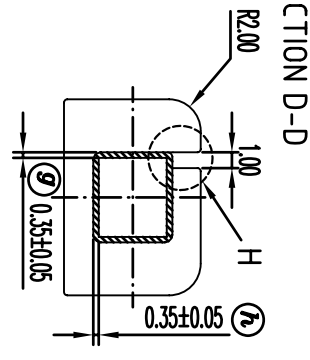
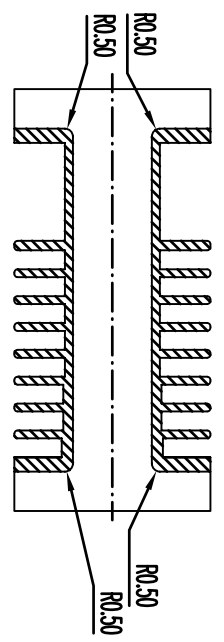


SECTION B-B



SECTION A-A



SECTION C-C

REV.	REVISION RECORD	DATE	REV.	REVISION RECORD	DATE

NAME	EEL-19SMD(海聯PIN)9P	MATERIAL	LCP(E4008)	SCALE	2/1	ANGLE	±1°
DRAWING NO.	HY S1903-5	PIN MATERIAL	PHOSPHOR BRONZE	UNIT	m/m	REV.:	A
UL REC.34V-0	PIN TENION LOAD: 0.8kg	MIN					
TOLERANCES	0<K<10±0.1 10<K<20±0.15 20<K<40±0.2						
	PIN PITCH:±0.2 WALL THICKNESS:±0.05						

