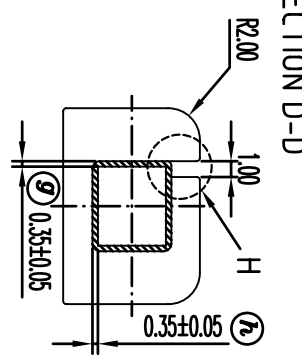
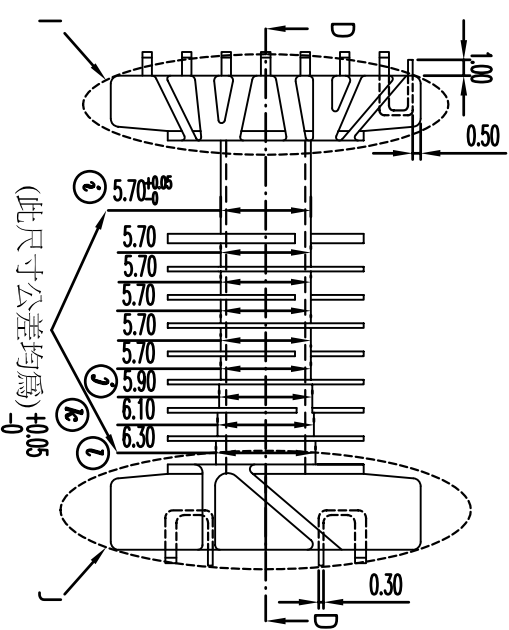


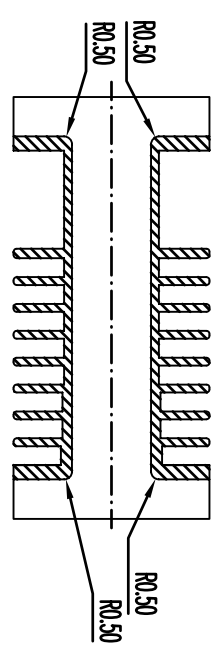
SECTION B-B



SECTION A-A



SECTION C-C



REV.	REVISION RECORD	DATE	REV.	REVISION RECORD	DATE
A			C		
B			D		

NAME	EEL-DSMDC(形PIN) (PP)	MATERIAL	LCP(E4008)	SCALE	2/1	ANGLE	±1°
DRAWING NO.	HY S1903-1	PIN MATERIAL	PHOSPHOR BRONZE	UNIT	m/m	REV.:	A
UL REC.:	34W-0	PIN TENSION LOAD:	0.8kg MIN				
TOLERANCES	0<L<10±0.1 10<L<20±0.15 20<L<40±0.2						
	PIN PITCH:±0.2 WALL THICKNESS:±0.05						


 信詠塑膠工業股份有限公司  
 Hsin Ying Plastic Industrial Co., Ltd.  
 TEL: 886-2-29953711 FAX: 86-2-29990010  
 信詠塑膠電子廠  
 Hsin Ying Plastic Electronics Factory  
 TEL: 07-69-6632011 FAX: 07-69-6633843

說明：此為C模。