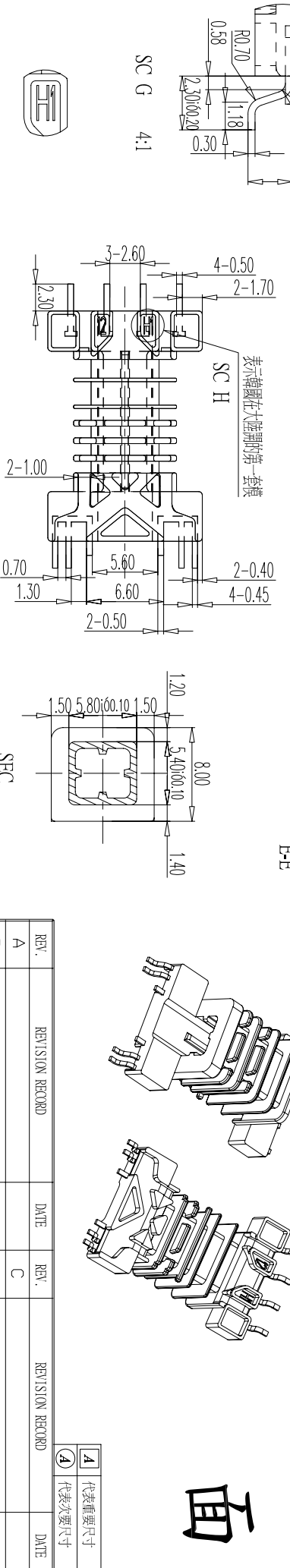
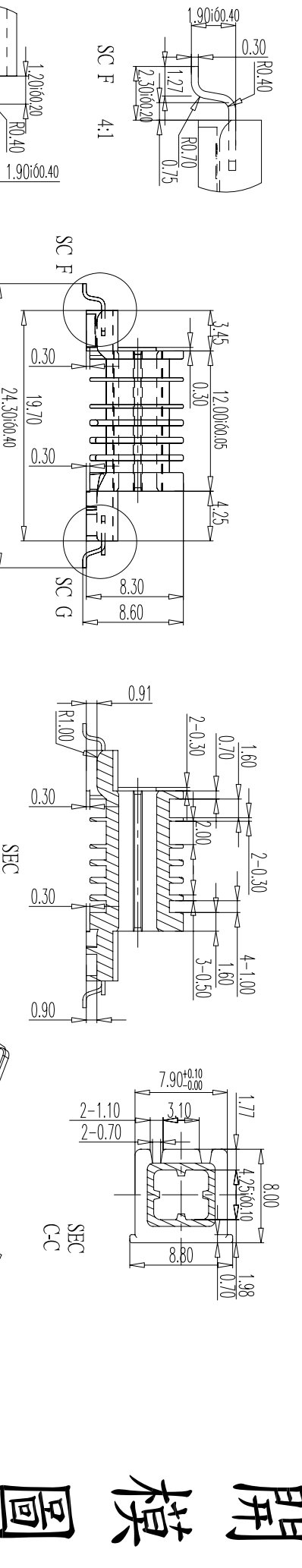
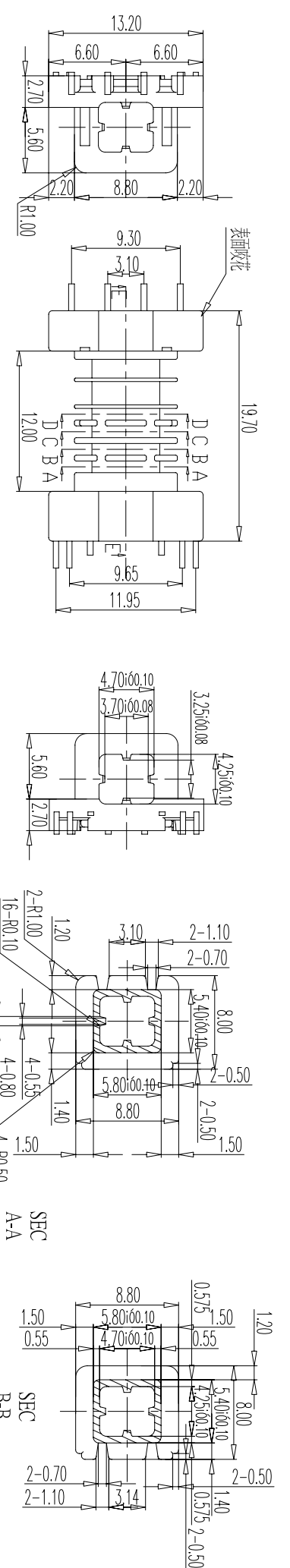


# 開模圖面



SC H 4:1

SC G 4:1

SC F 4:1

REV.	REVISION RECORD	DATE	REV.	REVISION RECORD	DATE
A			C		
B			D		

NAME	EE-1316H-C	MATERIAL	LCP-E4008	SCALE	2/1	ANGLE:	±1°
DRAWING NO.	HYS1306	PIN MATERIAL		UNIT	m/m	REV.:	A
UL REC.:94V-0	PIN TENION LOAD:1.5KG MIN						
TOLERANCES	0<K<3+0.08	3<K<10+0.1	10<K<18+0.12				
	18<K<30+0.15	50<K<80+0.2					
	PIN PITCH:±0.2 WALL THICKNESS:±0.15						

檢驗條件:

此產品是符合ROHS要求的.