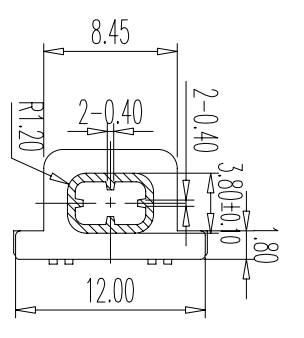
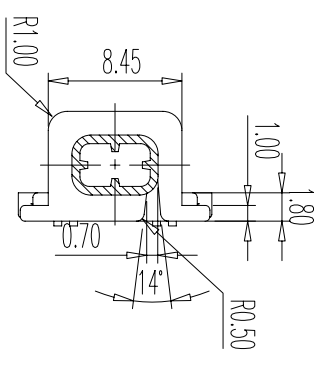
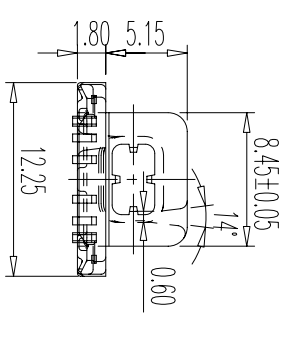


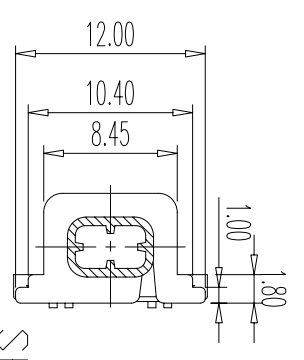
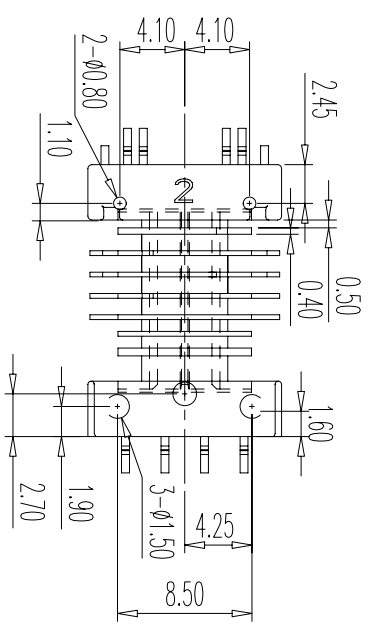
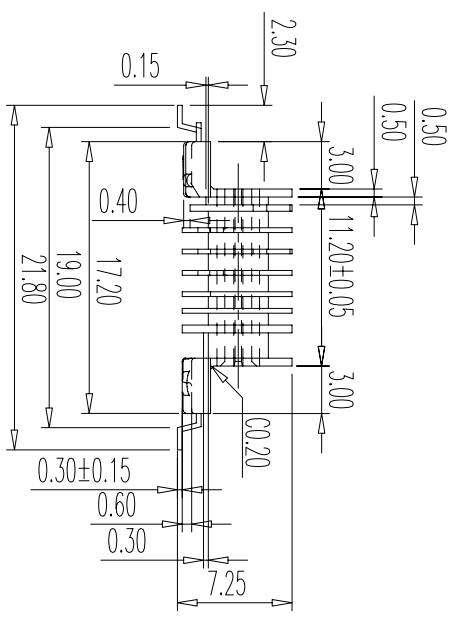
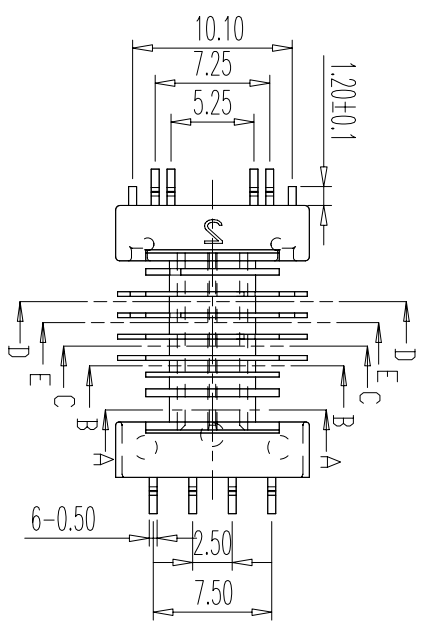
# 開模圖面



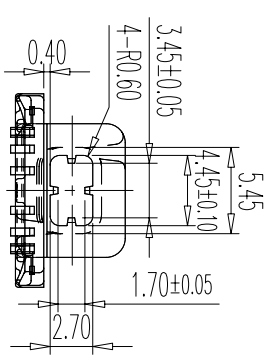
SEC  
B-B



SEC  
C-C

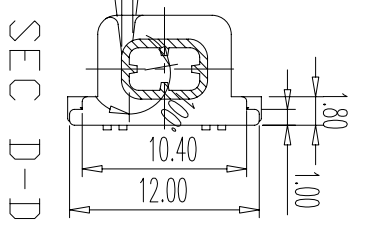
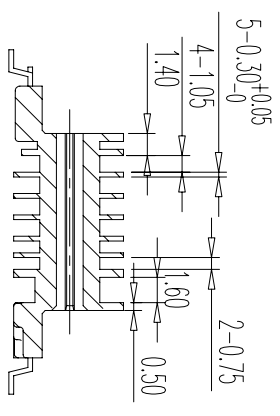
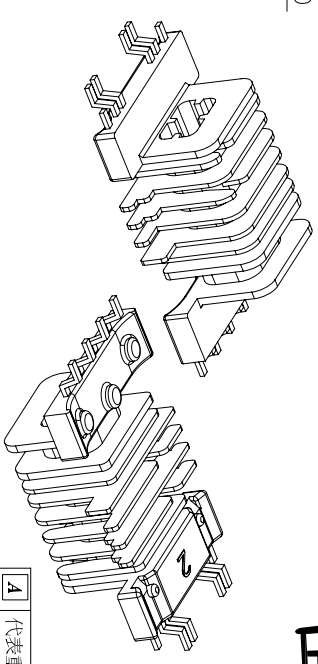


SEC  
E-E



SEC  
F-F

SEC  
A-A



SEC  
D-D

REV.	REVISION RECORD	DATE	REV.	REVISION RECORD	DATE
A			C		
B			D		

NAME	EFD-1215B-1 BOBBIN	MATERIAL	LCP-E4008	SCALE	2/1	ANGLE:	±T
DRAWING NO.	HYS1207	PIN MATERIAL	H phosphor bronze	UNIT	m/m	REV:	A
UL REC:	94V-0	PIN TENION LOAD:	1.5KG MIN				
TOLERANCES	0k<k4±0.05 4k<k16±0.1 16k<k30±0.25						
	PIN PITCH:±0.2 WALL THICKNESS:±0.15						



信詠塑膠工業股份有限公司  
HSIN YING PLASTIC INDUSTRIAL CO. LTD  
TEL:886-2-29953711 FAX:862-29990010  
信詠塑膠電子廠  
HSIN YING PLASTIC ELECTRONICS FACTORY  
TEL:0769-86652011 FAX:0769-86653843

檢驗條件:

此產品是符合ROHS要求的。