
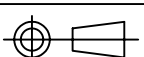


檢驗條件: 成品模

A	代表重要尺寸
Ⓐ	代表次要尺寸

REV.	REVISION RECORD	DATE	REV.	REVISION RECORD	DATE
A			C		
B			D		

NAME	EFD-1113B CASE	MATERIAL	LCP-E4008	SCALE	3/1	ANGLE:	±1°
DRAWING NO.	HYS1104	PIN MATERIAL		UNIT	m/m	REV.:	A
UL REC.:94V-0	PIN TENION LOAD: MIN		 <p>信詠塑膠工業股份有限公司 HSIN YUNG PLASTIC INDUSTRIAL CO.,LTD. TEL:886-2-29953711 FAX:886-2-29990010 信詠塑膠電子廠 HSIN YUNG PLASTIC ELECTRONICS FACTORY TEL:0769-86632011 FAX:0769-86635843</p>				
TOLERANCES	0<L<10:±0.1 10<L<20:±0.15 20<L<40:±0.2						
	PIN PITCH: WALL THICKNESS:±0.05						