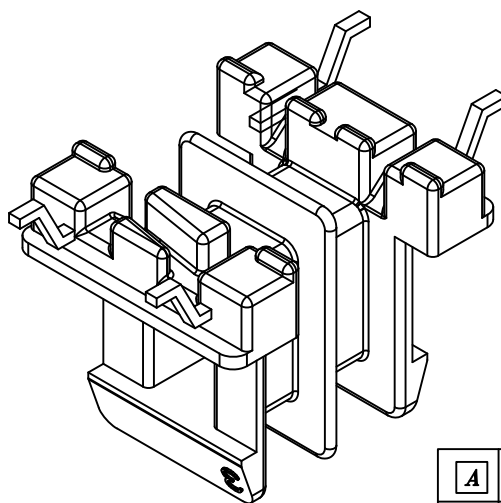
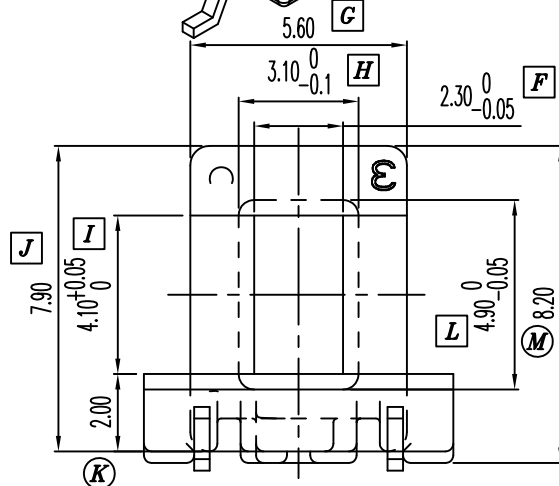
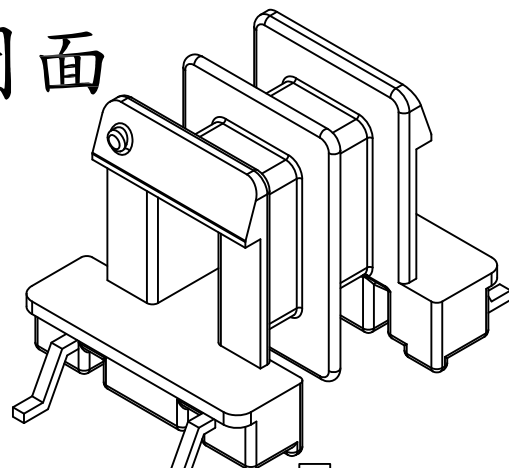
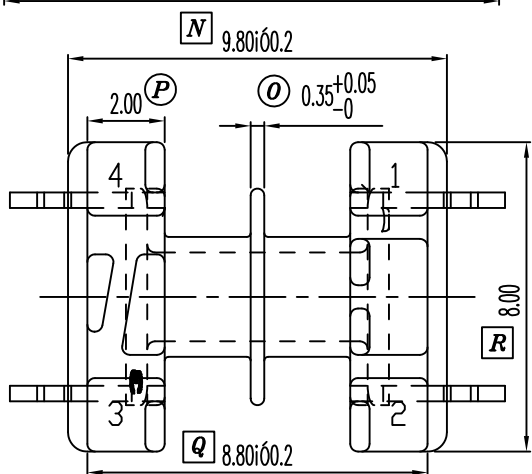
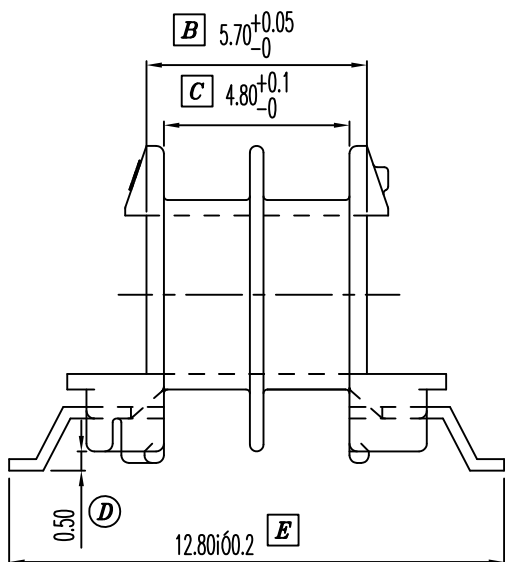
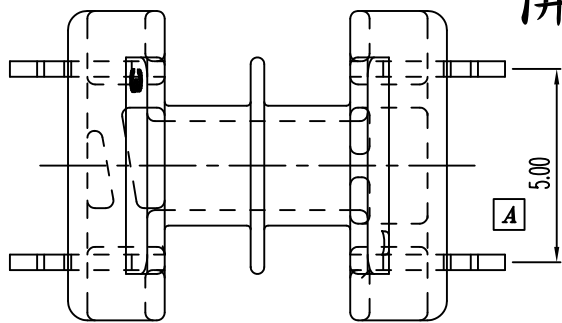



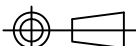
# 開模圖面



A 代表重要尺寸  
A 代表次要尺寸

檢驗條件:

REV.	REVISION RECORD	DATE	REV.	REVISION RECORD	DATE
A			C		
B			D		

NAME	EE-8.3-1SMD(4P)	MATERIAL	LCP(E4008)	SCALE	5/1	ANGLE:	±1°
DRAWING NO.	HYS0809	PIN MATERIAL	PHOSPHOR BRONZE	UNIT	m/m	REV.:	A
UL REC.:94V-0	PIN TENION LOAD: 0.8kg MIN			信詠塑膠工業股份有限公司 HSIN YUNG PLASTIC INDUSTRIAL CO.,LTD. TEL:886-2-29953711 FAX:886-2-29990010 信詠塑膠電子廠 HSIN YUNG PLASTIC ELECTRONICS FACTORY TEL:0769-86632011 FAX:0769-86635843			
TOLERANCES	0<L≤10:±0.1 10<L≤20:±0.15 20<L≤40:±0.2						
	PIN PITCH:±0.2 WALL THICKNESS:±0.05						