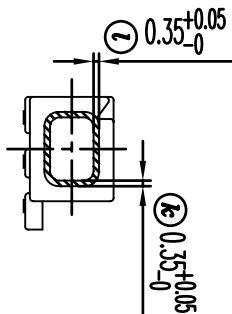
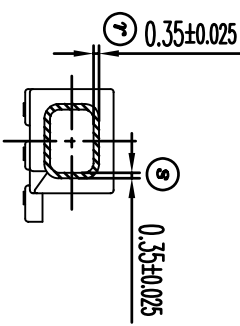


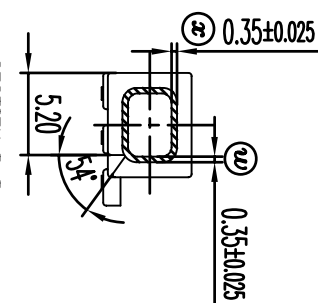
SECTION G-G



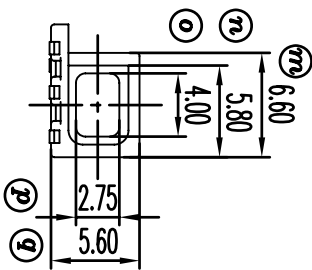
SECTION B-B



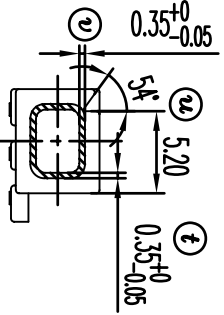
SECTION C-C



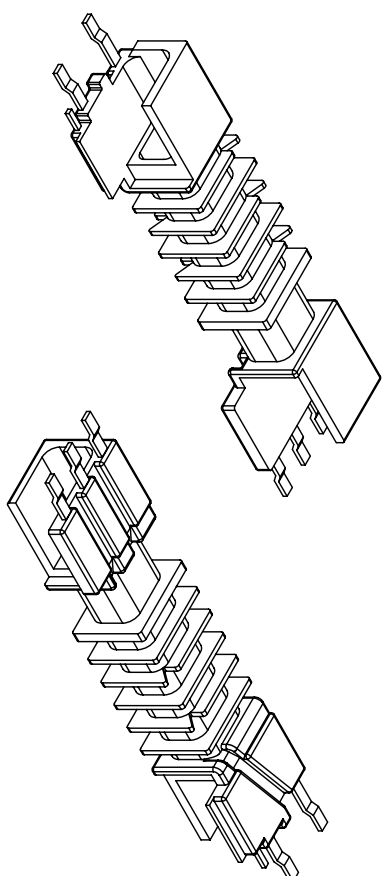
SECTION D-D



SECTION E-E



SECTION F-F



說明：PIN腳平貼度0.1MAX

正傑模具

REV.	REVISION RECORD	DATE	REV.	REVISION RECORD	DATE
A			C		
B			D		

NAME	UUL-89SMD(海脚PINX5P)	MATERIAL	LCP(E4008)	SCALE	2/1	ANGLE	±1°
DRAWING NO.	HY S0806	PIN MATERIAL	PHOSPHOR BRONZE	UNIT	m/m	REV.	A
UL REC. 94V-0	PIN TENION LOAD: 1.0kg MIN						
TOLERANCES	0<L<10±0.1 10<L<20±0.15 20<L<40±0.2						
	PIN PITCH:±0.2 WALL THICKNESS:±0.05						

信詠塑膠工業股份有限公司	HSIN YING PLASTIC INDUSTRIAL CO., LTD.
TEL: 886-2-29953711	FAX: 86-2-29990010
TEL: 07-69-6632011	FAX: 07-69-6633843