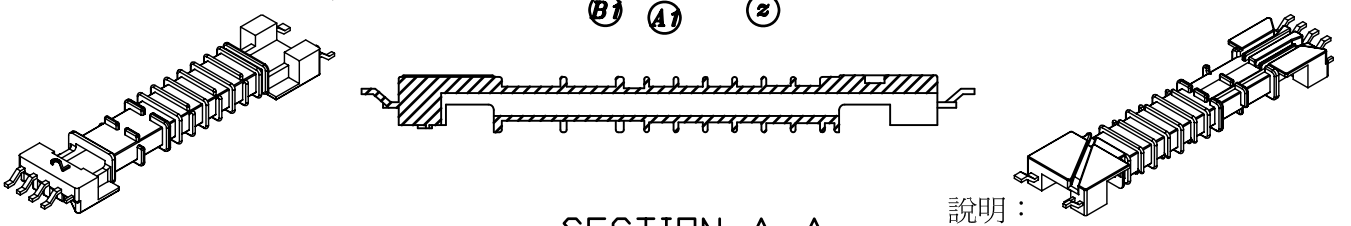
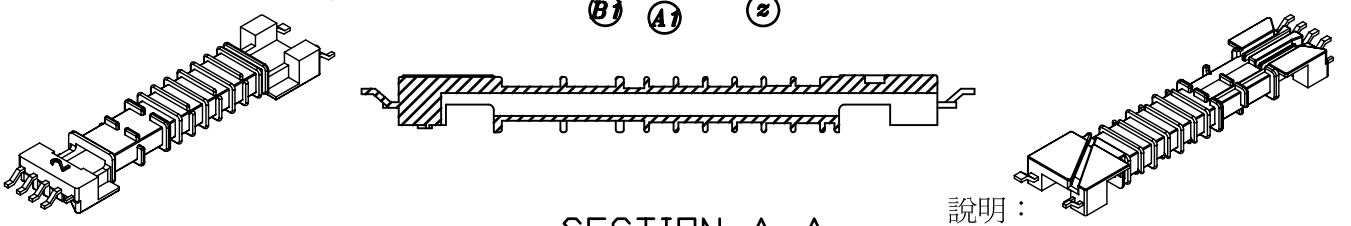
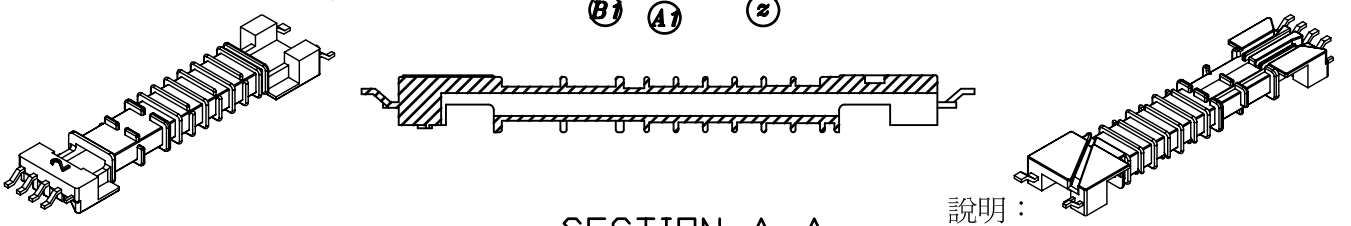
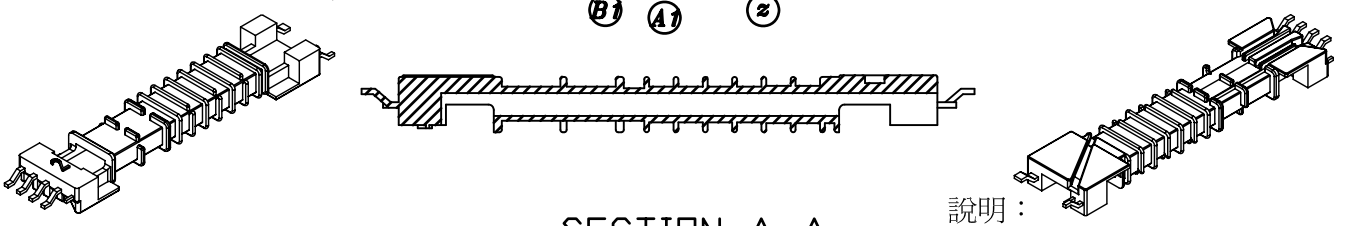
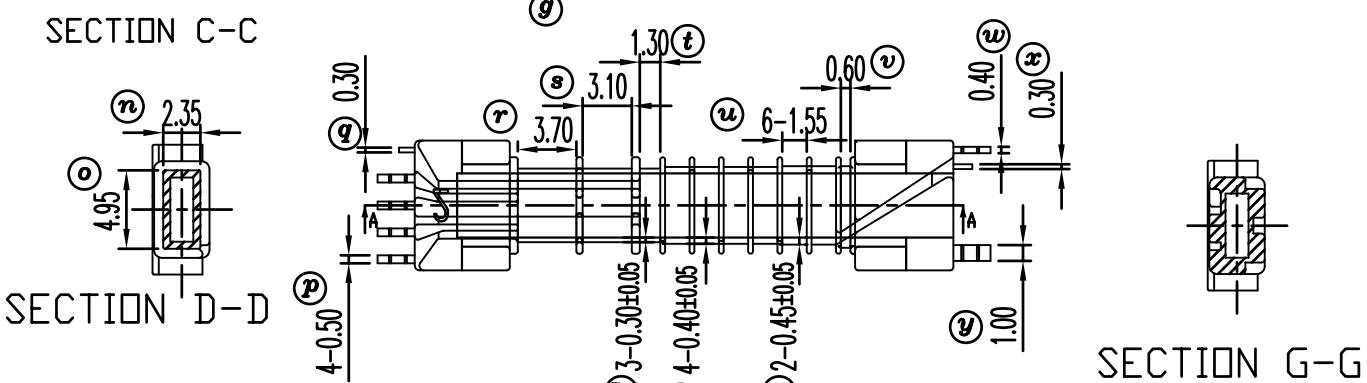
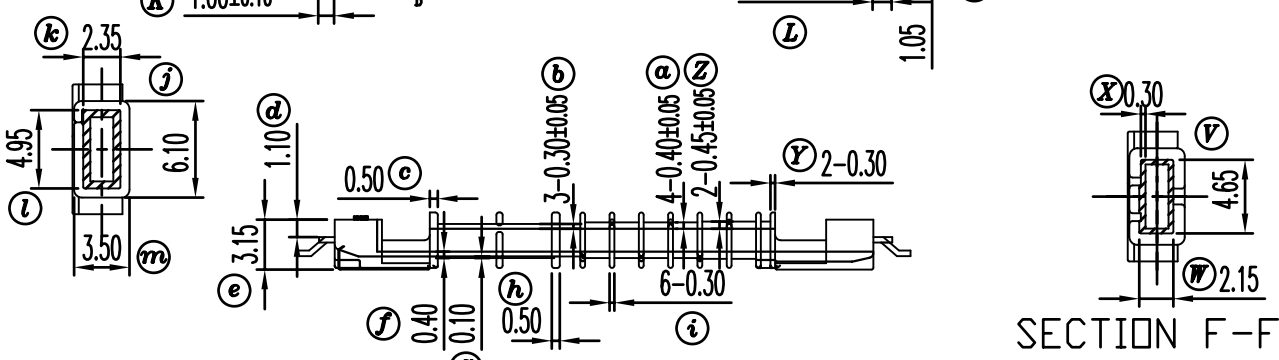
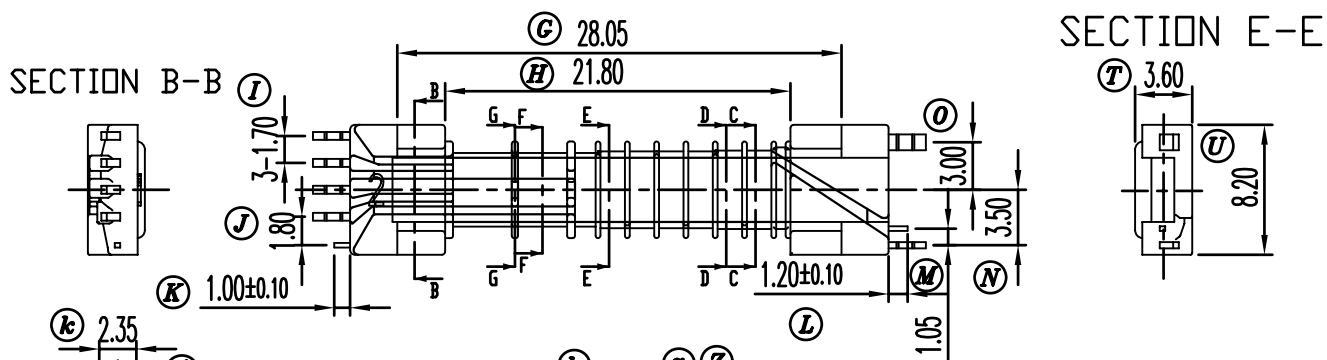
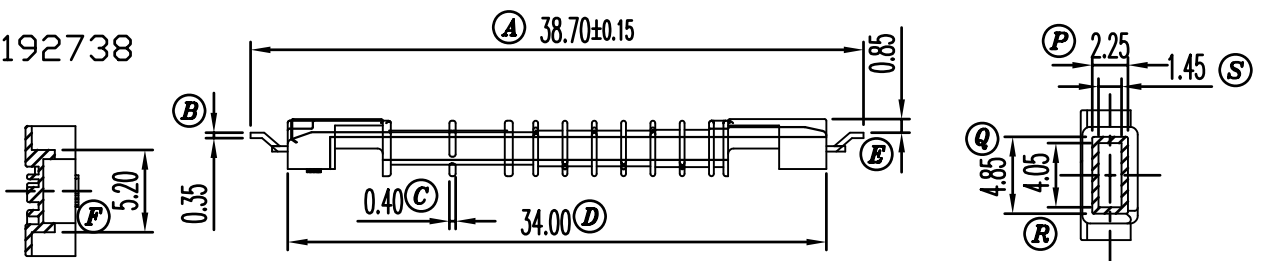



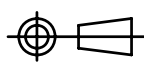


E-192738



說明：  
1. 葉片 & 壁厚公差均為±0.05mm

REV.	REVISION RECORD	DATE	REV.	REVISION RECORD	DATE

NAME	UI-8.5-1SMD(6P)	MATERIAL	LCP-E4008	SCALE	2/1	ANGLE:	±1°
DRAWING NO.	HY S0805	PIN MATERIAL	PHOSPHOR BRONZE	UNIT	m/m	REV.:	A
UL REC.:94V-0	PIN TENION LOAD: 0.8kg MIN		 <p>信詠塑膠工業股份有限公司 HSIN YUNG PLASTIC INDUSTRIAL CO.,LTD TEL:886-2-29953711 FAX:86-2-29990010 信詠塑膠電子廠 HSIN YUNG PLASTIC ELECTRONICS FACTORY TEL:0769-6632011 FAX:0769-6635843</p>				
TOLERANCES:	0<L<4:±0.1 10<L<20:±0.15 20<L<40:±0.2						
	PIN PITCH:±0.2 WALL THICKNESS:±0.05						