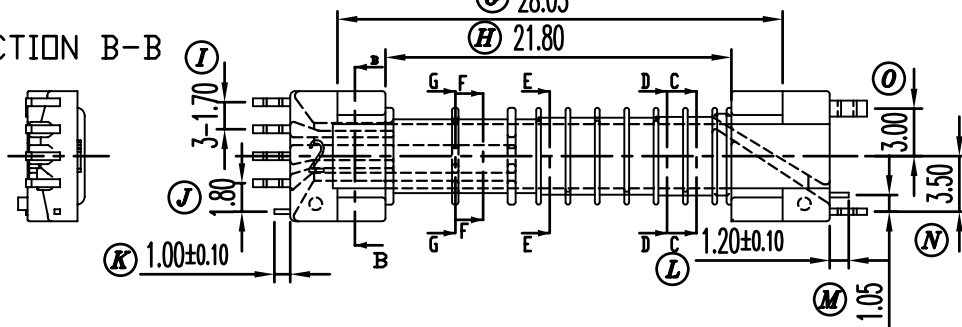
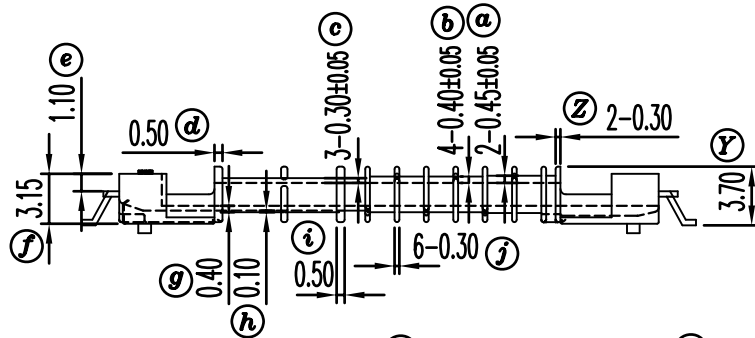
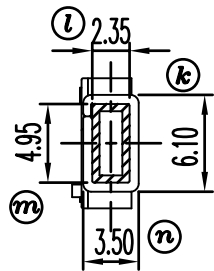
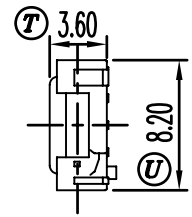


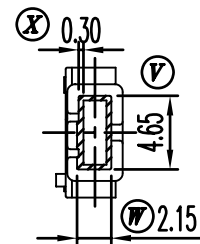
SECTION B-B



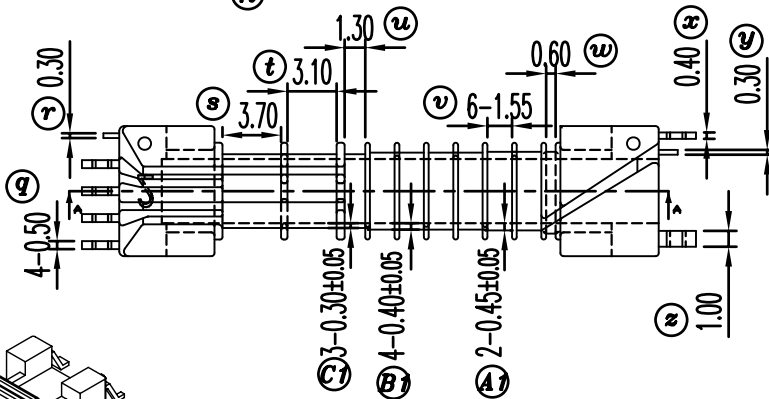
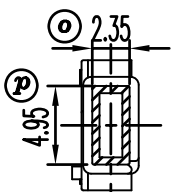
SECTION E-E



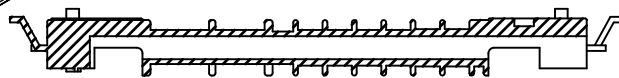
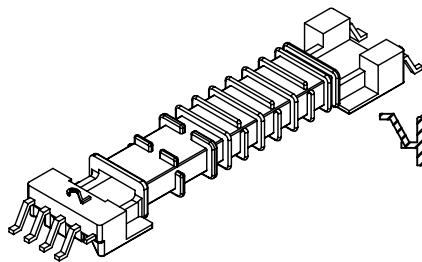
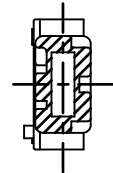
SECTION F-F



SECTION C-C



SECTION G-G


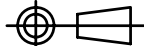


SECTION A-A

說明：

1.葉片&壁厚公差均為±0.05mm

REV.	REVISION RECORD	DATE	REV.	REVISION RECORD	DATE

NAME	UI-8.5 SMD(6P)	MATERIAL	LCP-E4008	SCALE	2/1	ANGLE:	±1°
DRAWING NO.	HY S0804	PIN MATERIAL	PHOSPHOR BRONZE	UNIT	m/m	REV.:	A
UL REC.:94V-0	PIN TENION LOAD: 0.8kg MIN		 信詠塑膠工業股份有限公司 HSIN YUNG PLASTIC INDUSTRIAL CO.LTD TEL:886-2-29953711 FAX:86-2-29990010 信詠塑膠電子廠 HSIN YUNG PLASTIC ELECTRONICS FACTORY TEL:0769-6632011 FAX:0769-6635843				
TOLERANCES:	0<L<4:±0.1 10<L<20:±0.15 20<L<40:±0.2						
	PIN PITCH:±0.2 WALL THICKNESS:±0.05						