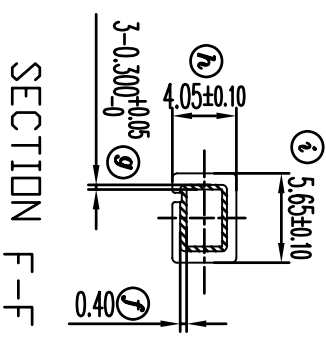
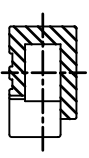


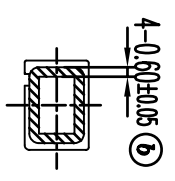
SECTION A-A



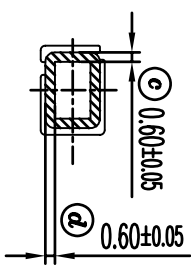
SECTION F-F



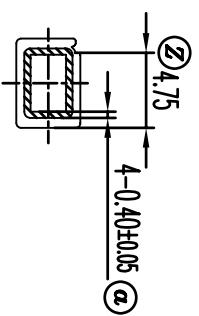
SECTION B-B



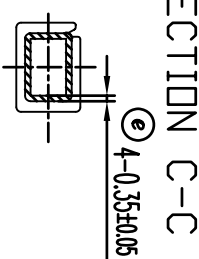
SECTION C-C



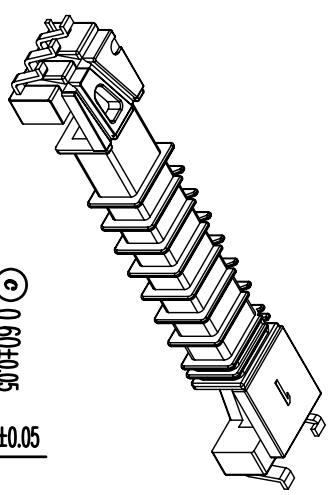
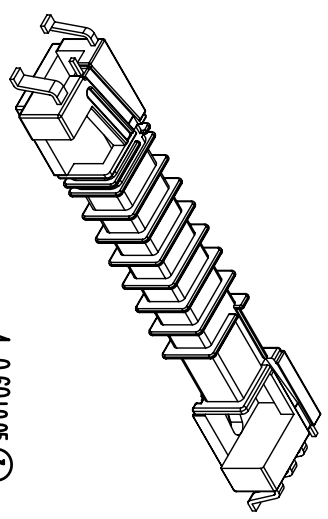
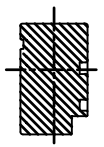
SECTION D-D



SECTION E-E



SECTION G-G



REV.	REVISION RECORD	DATE	REV.	REVISION RECORD	DATE
A			C		
B			D		

NAME	CI-8-SSMID (SP)	MATERIAL	LCP(IE4008)	SCALE	2/1	ANGLE	F/T
DRAWING NO.	HYS0803	PIN MATERIAL	PHOSPHOR BRONZE	UNIT	m/m	REV.:	A
UL REC.34V-0	PIN TENION LOAD: 0.8kg	MIN					
TOLERANCES	0<k<10±0.1	10<k<20±0.15	20<k<40±0.2				
	PIN PITCH:±0.2	WALL THICKNESS:±0.05					

信詠塑膠工業股份有限公司	信詠塑膠電子廠
HSIN YING PLASTIC INDUSTRIAL CO., LTD.	HSIN YING ELECTRONICS FACTORY
TEL:886-2-29953711	FAX:86-2-29990010
TEL:0769-6632011	FAX:0769-6633843

說明：PIN腳平貼度0.08MAX