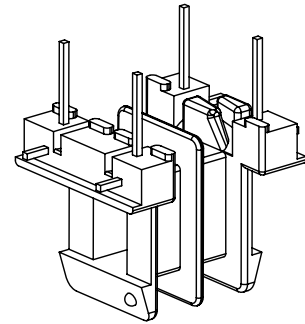
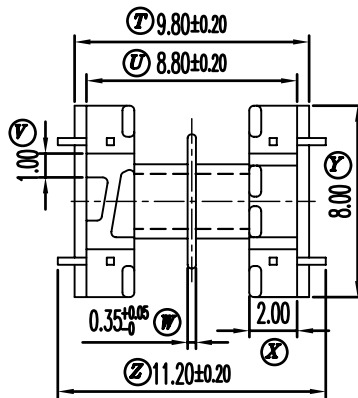
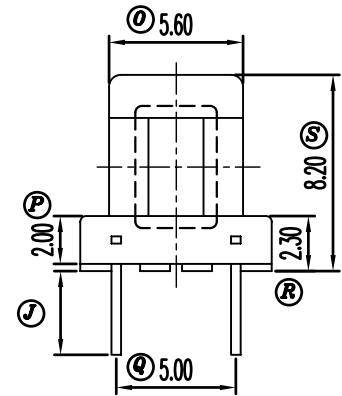
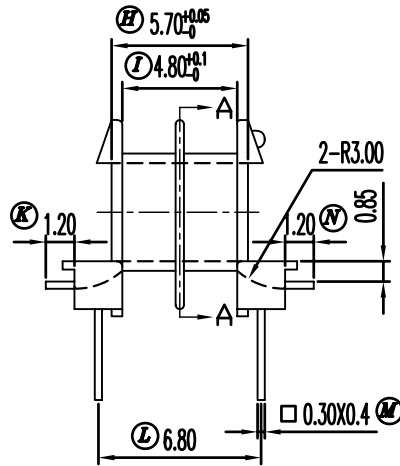


SECTION A-A



REV.	REVISION RECORD	DATE	REV.	REVISION RECORD	DATE
A			C		
B			D		

NAME	EE-8.3SMD (4P)	MATERIAL	LCP(E4008)	SCALE	3/1	ANGLE:	±1°
DRAWING NO.	HY S0801	PIN MATERIAL	PHOSPHOR BRONZE	UNIT	m/m	REV.:	A
TOLERANCE OF PIN PITCH	±0.20			信詠塑膠工業股份有限公司 HSIN YUNG PLASTIC INDUSTRIAL CO.,LTD TEL:886-2-29953711 FAX:86-2-29990010 信詠塑膠電子廠 HSIN YUNG PLASTIC ELECTRONICS FACTORY TEL:0769-6632011 FAX:0769-6635843			
PIN TENSION LOAD	0.8kg MIN	UL REC.:94V-0					
TOLERANCE:	±0.1						