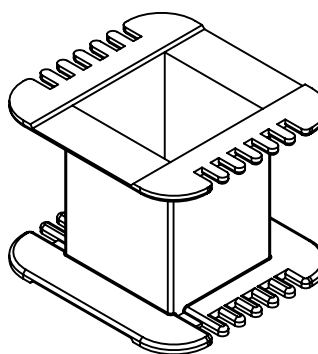
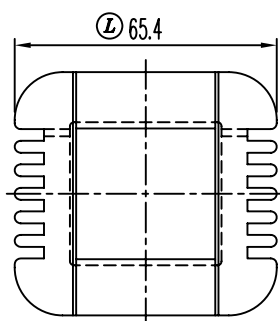
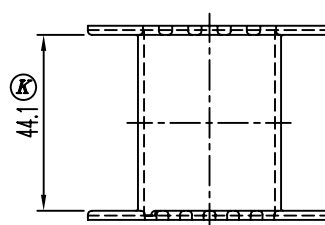
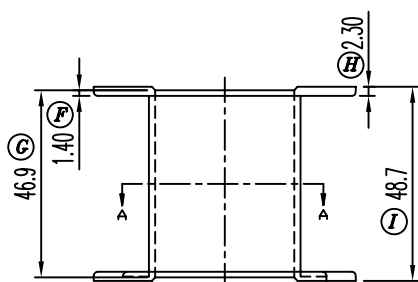


SECTION A-A



REV.	REVISION RECORD	DATE	REV.	REVISION RECORD	DATE
A	F:1.20 G:14.50 H:2.20 I:48.5		C		
B	F:1.20→1.40 G:14.50→14.90	2005.4.22	D		
B	H:2.20→2.30 I:48.5→48.7	2005.4.22	E		

NAME	EI-96*35	MATERIAL	NYLON-101F	SCALE	1/2	ANGLE:	±1°
DRAWING NO.	HY 9601	PIN MATERIAL		UNIT	m/m	REV.:	B
TOLERANCE OF PIN PITCH	±0.20			信詠塑膠工業股份有限公司 HSIN YUNG PLASTIC INDUSTRIAL CO.,LTD TEL:886-2-29953711 FAX:86-2-29990010 信詠塑膠電子廠 HSIN YUNG PLASTIC ELECTRONICS FACTORY TEL:0769-6632011 FAX:0769-6635843			
PIN TENSION LOAD	MIN	UL REC.:94-V2					
TOLERANCE: 0<L<4:±0.1 4<L<16:±0.2 16<L<63:±0.3							