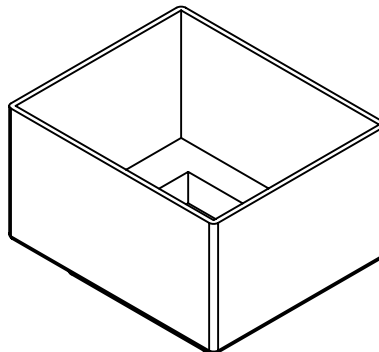
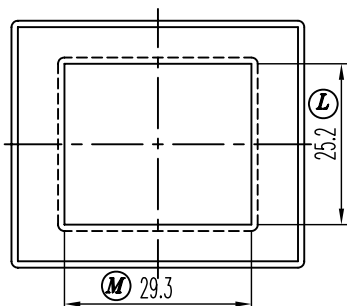
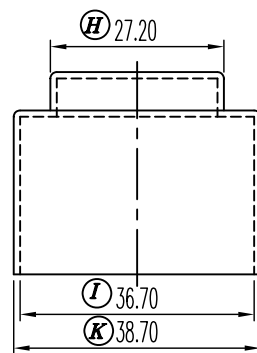
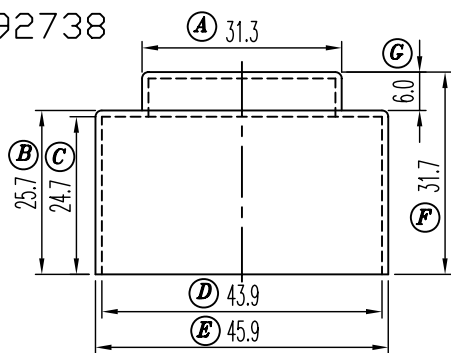
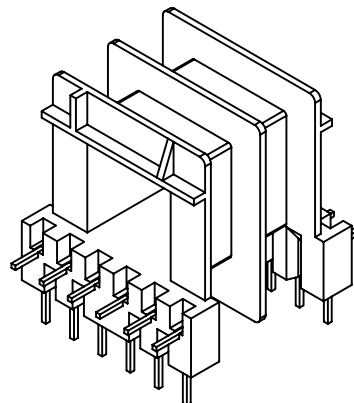
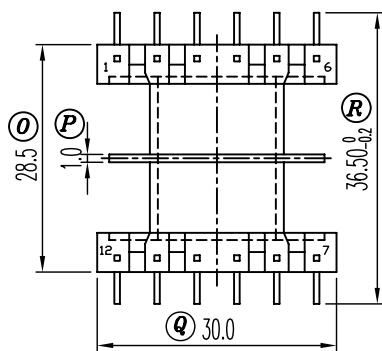
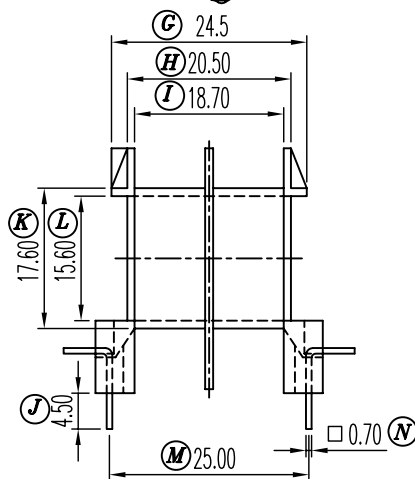
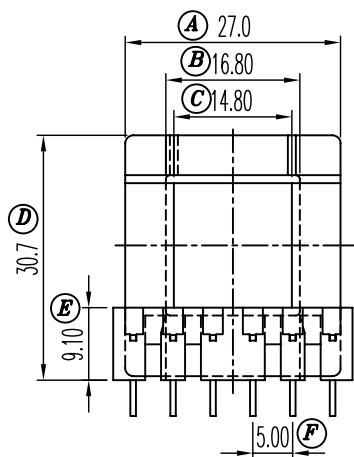


(A):



(B):



REV.	REVISION RECORD	DATE	REV.	REVISION RECORD	DATE
A			C		
B			D		

NAME	EI-41*14.8 (12P)	MATERIAL	PET	SCALE	1/1	ANGLE:	±1°
DRAWING NO.	HY 4107	PIN MATERIAL	CP WIRE	UNIT	m/m	REV.:	A
TOLERANCE OF PIN PITCH	±0.20		信詠塑膠工業股份有限公司 HSIN YUNG PLASTIC INDUSTRIAL CO.,LTD. TEL:886-2-29953711 FAX:886-2-29990010 信詠塑膠電子廠 HSIYUNG PLASTICELECTRONICS FACTORY TEL:0769-6632011 FAX:0769-6635843				
PIN TENSION LOAD	1.2kg MIN	UL REC.:94V-0					
TOLERANCES: 0<L≤4:±0.1 4<L≤16:±0.2 16<L≤63:±0.3							