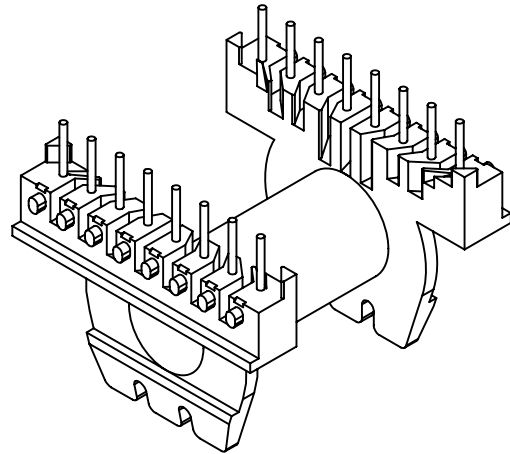
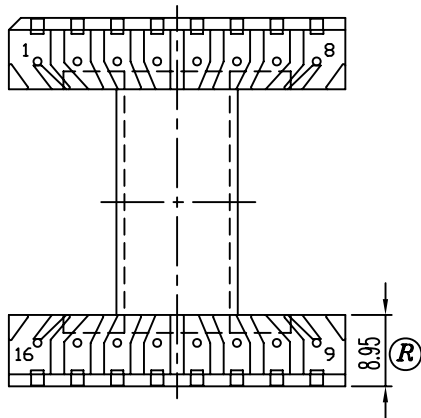
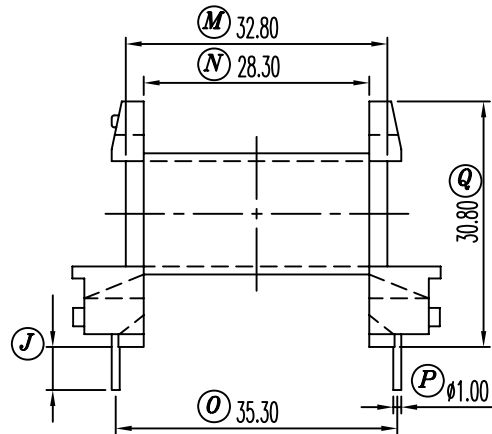
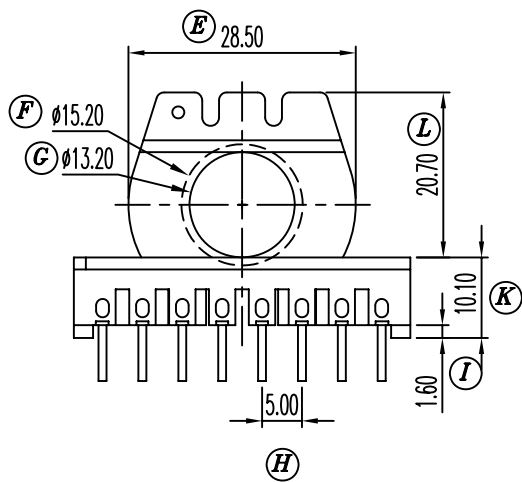
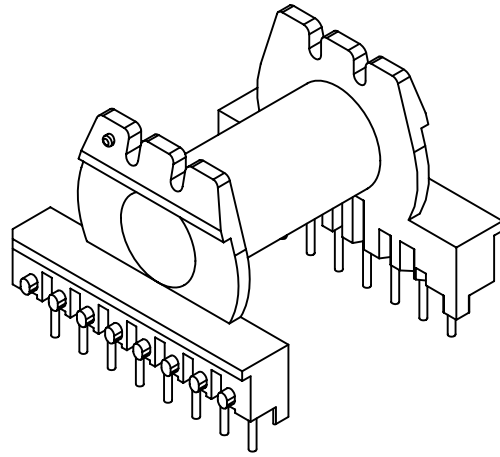
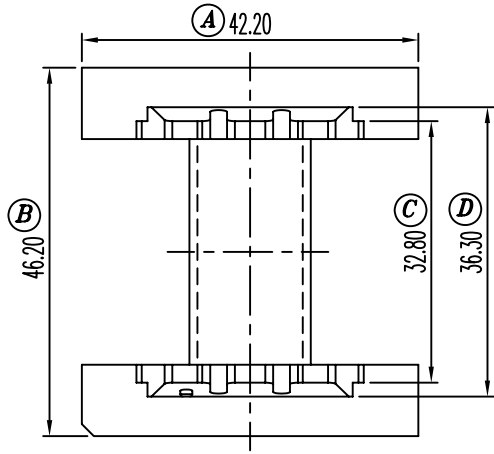




E-192738



REV.	REVISION RECORD	DATE	REV.	REVISION RECORD	DATE
A			C		
B	$M : 33.80 \rightarrow 32.80$ $N : 29.80 \rightarrow 28.30$		D		

NAME	ERL-39 臥式 (16P)	MATERIAL	PHENOLIC	SCALE	1/1	ANGLE:	$\pm 1^\circ$
DRAWING NO.	HY 3904	PIN MATERIAL	CP WIRE	UNIT	m/m	REV.:	B
TOLERANCE OF PIN PITCH	± 0.20		信詠塑膠工業股份有限公司 HSIN YUNG PLASTIC INDUSTRIAL CO.,LTD. TEL:886-2-29953711 FAX:886-2-29990010 信詠塑膠電子廠 HSIN YUNG PLASTIC ELECTRONICS FACTORY TEL:0769-6632011 FAX:0769-6635843				
PIN TENSION LOAD	1.2kg MIN	UL REC.:94V-0					
TOLERANCES: $0 < L \leq 4 : \pm 0.1$ $4 < L \leq 16 : \pm 0.2$ $16 < L \leq 63 : \pm 0.3$							