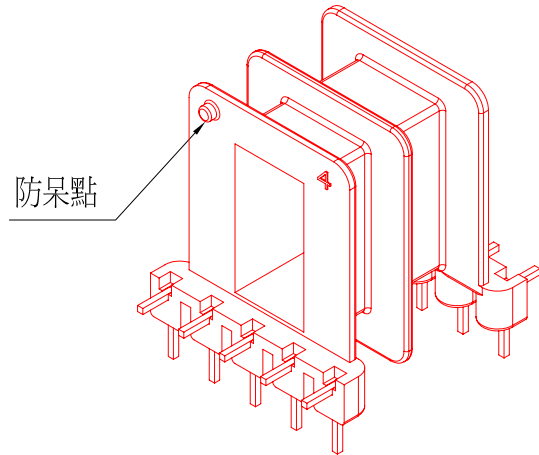
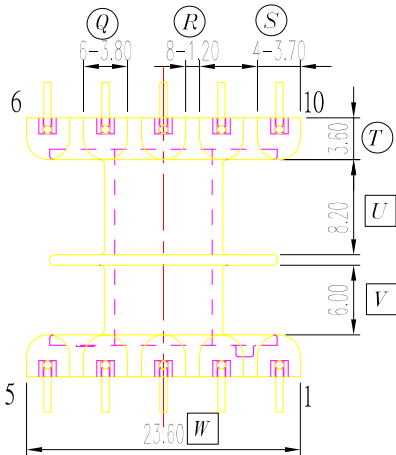


SC A 3:1




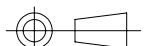
說明:

檢驗條件:

1.未標圓角均為0.3-0.4mm

A 代表重要尺寸
A 代表次要尺寸

REV.	REVISION RECORD	DATE	REV.	REVISION RECORD	DATE
A			C		
B			D		

NAME	EI-2828*15.5	MATERIAL	尼龍	SCALE	1.5/1	ANGLE:	±1°
DRAWING NO.	HY2852	PIN MATERIAL	CP WIRE	UNIT	m/m	REV.:	A
UL REC.: 94V-0	PIN TENSION LOAD: 1.0Kg MIN			 信詠塑膠工業股份有限公司 HSIN YUNG PLASTIC INDUSTRIAL CO.,LTD. TEL:886-2-29953711 FAX:886-2-29990010 信詠塑膠電子廠 HSIN YUNG PLASTIC ELECTRONICS FACTORY TEL:0769-86632011 FAX:0769-86635843			
TOLERANCES:	0<L<4:±0.1 4<L<16:±0.2 16<L<63:±0.3						
	PIN PITCH:±0.2 WALL THICKNESS:±0.15						