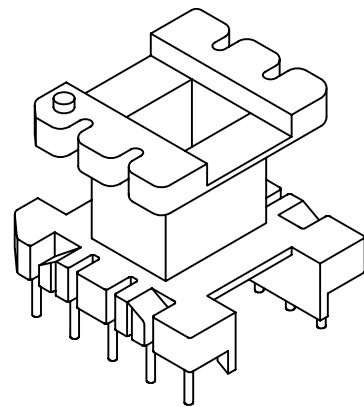
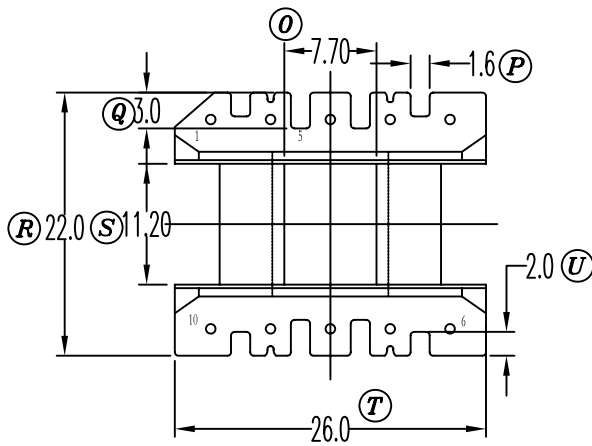
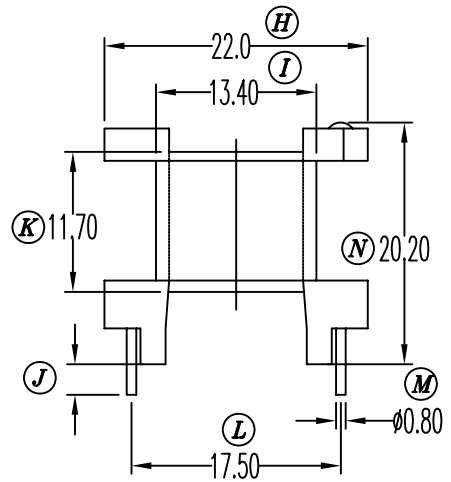
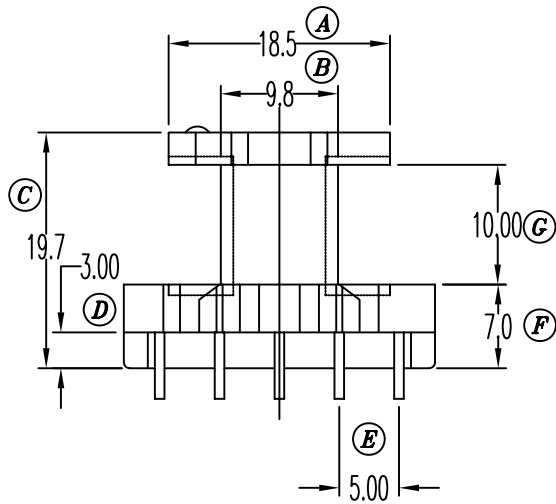

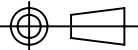




E-192738



REV.	REVISION RECORD	DATE	REV.	REVISION RECORD	DATE
A	⌀2.80 6.8 21.2		C		
B	⌀2.80→3.0 6.8→7.0 21.2→20.2	2005.07.06	D		

NAME	EI-28-2 (10P)	MATERIAL	PHENOLIC	SCALE	1.5 / 1	ANGLE:	± 1
DRAWING NO.	HY 2813	PIN MATERIAL	CP WIRE	UNIT	m/m	REV.:	B
UL REC.: 94V-0	PIN TENSION LOAD: 1.2kg MIN		 信詠塑膠工業股份有限公司 HSIN YUNG PLASTIC INDUSTRIAL CO., LTD. TEL: 886-2-29953711 FAX: 886-2-29990010 信詠塑膠電子廠 HSIN YUNG PLASTIC ELECTRONICS FACTORY TEL: 0769-86632011 FAX: 0769-86635843				
TOLERANCES:	0 < L ≤ 4: ±0.1 4 < L ≤ 16: ±0.2 16 < L ≤ 63: ±0.3						
	PIN PITCH: ±0.2 WALL THICKNESS: ±0.15						