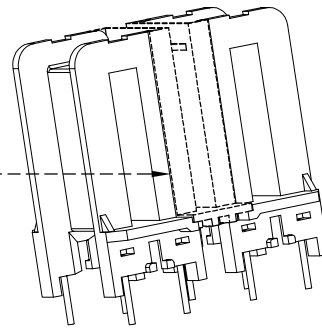
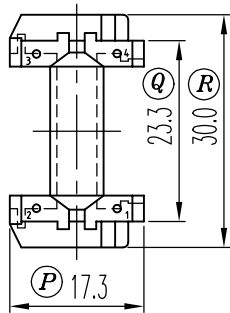
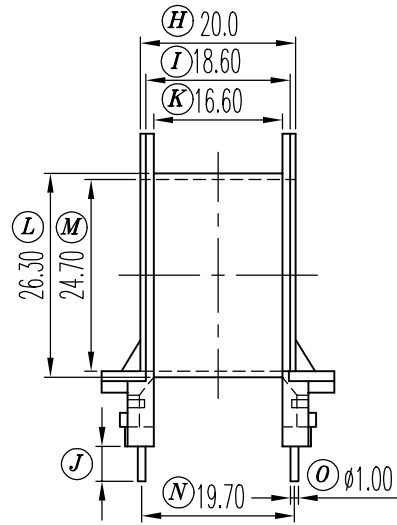
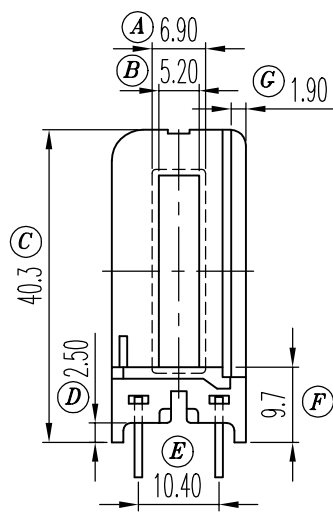
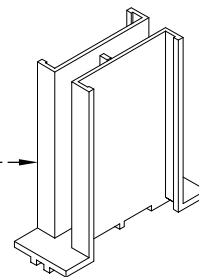
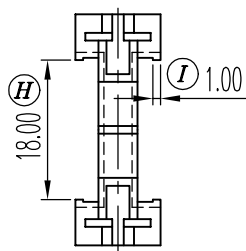
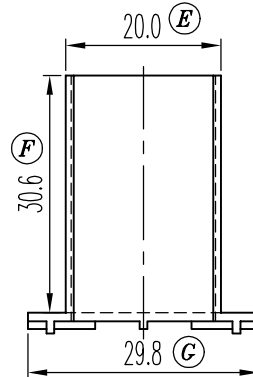
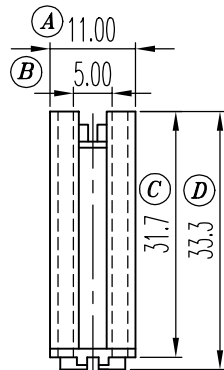


(A)



(B)



REV.	REVISION RECORD	DATE	REV.	REVISION RECORD	DATE
A			C		
B			D		

NAME	EE-27.5-1 (4P)	MATERIAL	(A):PET (B):NYLON	SCALE	1/1	ANGLE:	±1°		
DRAWING NO.	HY 2702	PIN MATERIAL	CP WIRE	UNIT	m/m	REV.:	A		
TOLERANCE OF PIN PITCH	±0.20	<p>信詠塑膠工業股份有限公司 HSIN YUNG PLASTIC INDUSTRIAL CO., LTD. TEL:886-2-29953711 FAX:886-2-29990010 信詠塑膠電子廠 HSIN YUNG PLASTIC ELECTRONICS FACTORY TEL:0769-6632011 FAX:0769-6635843</p>							
PIN TENSION LOAD	1.0kg MIN							UL REC.:	94V-0
TOLERANCES: 0<L≤4:±0.1 4<L≤16:±0.2 16<L≤63:±0.3									