
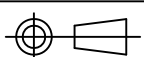


SEC A-A

<b>A</b>	代表重要尺寸
<b>Ⓐ</b>	代表次要尺寸

檢驗條件: 未標注R角未0.30mm

REV.	REVISION RECORD	DATE	REV.	REVISION RECORD	DATE
A			C		
B			D		

NAME	EF-25-11 (8P)	MATERIAL	T375J	SCALE	1.5/1	ANGLE:	±1°
DRAWING NO.	HY 2548	PIN MATERIAL	CP WIRE	UNIT	m/m	REV.:	A
UL REC.:	94V-0	PIN TENSION LOAD: 1.5kg MIN		 信詠塑膠工業股份有限公司 HSIN YUNG PLASTIC INDUSTRIAL CO.,LTD. TEL:886-2-29953711 FAX:886-2-29990010 信詠塑膠電子廠 HSIN YUNG PLASTIC ELECTRONICS FACTORY TEL:0769-86632011 FAX:0769-86635843			
TOLERANCES:	0<L≤4:±0.1 4<L≤16:±0.2 16<L≤63:±0.3						
	PIN PITCH:±0.2 WALL THICKNESS:±0.15						