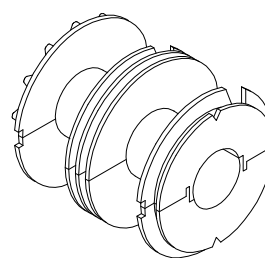
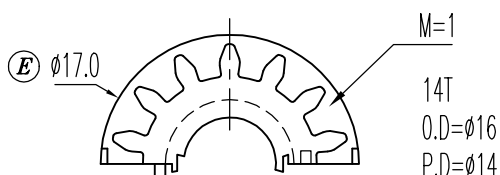
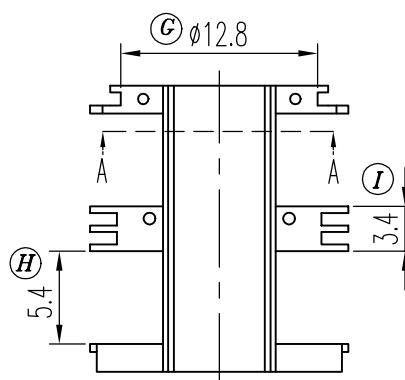
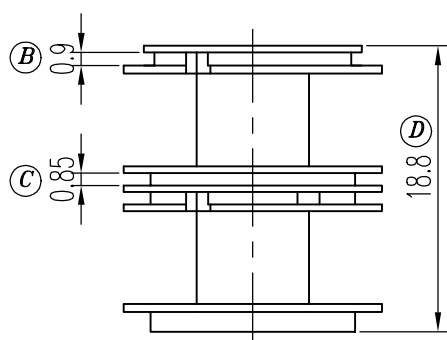


SECTION A-A



REV.	REVISION RECORD	DATE	REV.	REVISION RECORD	DATE
A			C		
B	變換齒輪樣式	2002.6.6	D		

NAME	ET-24-2	MATERIAL	PBT	SCALE	2/1	ANGLE:	±1°
DRAWING NO.	HY 2405	PIN MATERIAL		UNIT	m/m	REV.:	B
TOLERANCE OF PIN PITCH	±0.20			<p>信詠塑膠工業股份有限公司 HSIN YUNG PLASTIC INDUSTRIAL CO., LTD. TEL:886-2-29953711 FAX:886-2-29990010 信詠塑膠電子廠 HSIN YUNG PLASTIC ELECTRONICS FACTORY TEL:0769-6632011 FAX:0769-6635843</p>			
PIN TENSION LOAD	MIN	UL REC.:94V-0					
TOLERANCES: 0<L≤4:±0.1 4<L≤16:±0.2 16<L≤63:±0.3							