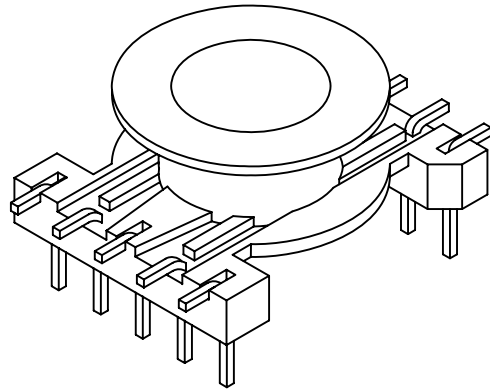
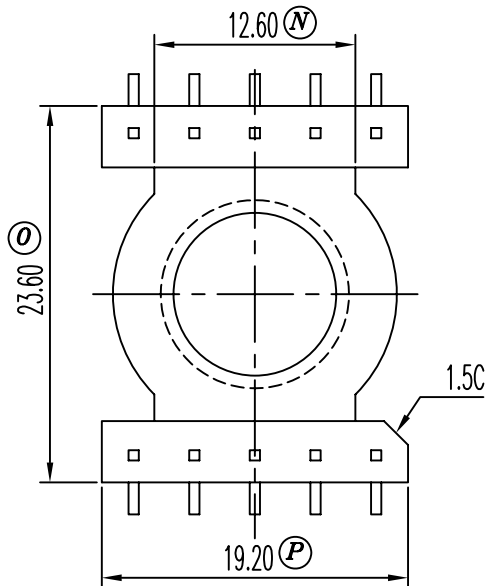
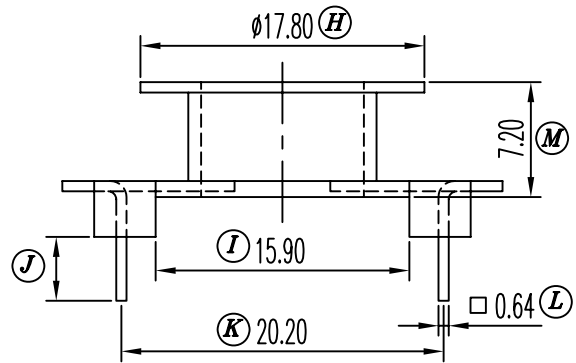
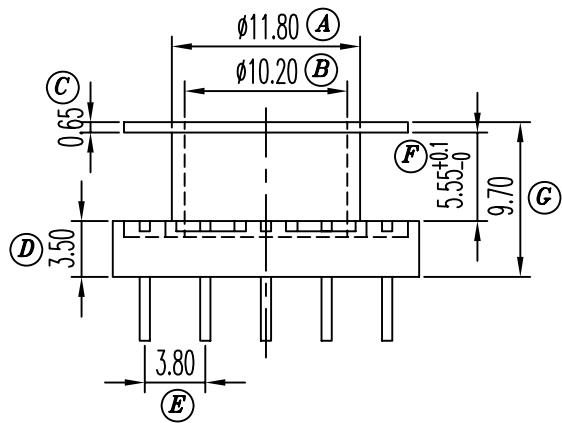

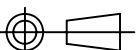




E-192738



REV.	REVISION RECORD	DATE	REV.	REVISION RECORD	DATE
A			C		
B	C:0.7 → 0.65 F:5.40 → 5.55 <sup>+0.1</sup> <sub>-0</sub> G:9.60 → 9.70 M:7.10 → 7.20	2005.06.14	D		

NAME	PT-23*11 (10P)	MATERIAL	PHENOLIC	SCALE	2/1	ANGLE:	±1°
DRAWING NO.	HY 2301	PIN MATERIAL	CP WIRE	UNIT	m/m	REV.:	B
UL REC.:94V-0	PIN TENSION LOAD: 1.0kg MIN		 信詠塑膠工業股份有限公司 HSIN YUNG PLASTIC INDUSTRIAL CO.,LTD. TEL:886-2-29953711 FAX:886-2-29990010 信詠塑膠電子廠 HSIN YUNG PLASTIC ELECTRONICS FACTORY TEL:0769-86632011 FAX:0769-86635843				
TOLERANCES:	0<L≤4:±0.1 4<L≤16:±0.2 16<L≤63:±0.3						
	PIN PITCH:±0.2 WALL THICKNESS:±0.15						