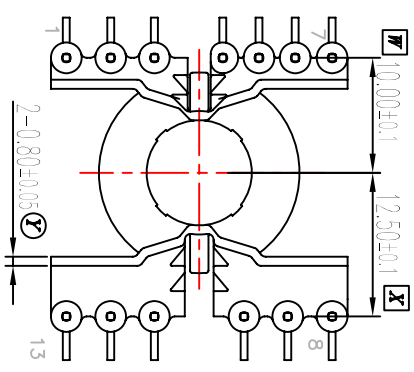
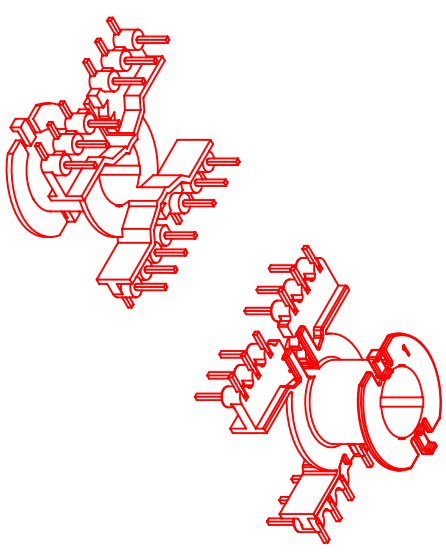


SC B 3:1



SC A 3:1




REV.	REVISION RECORD	DATE	REV.	REVISION RECORD	DATE
A			C		
B			D		

NAME	CQ2018	MATERIAL	PA66-AXXGF-NC	SCALE	1.5/1	ANGLE:	±1°
DRAWING NO.	HY2027	PIN MATERIAL		CP WIRE	UNIT	REV.:	A
UL REC.:94V-0	PIN TENION LOAD: 10KG MIN				m/cm		
TOLERANCES	0<4<10:±0.1	10<4<20:±0.15	20<4<40:±0.2				
	PIN PITCH:±0.2	WALL THICKNESS:±0.05					

檢驗條件:

此產品是符合ROHS要求的.


 信詠塑膠工業股份有限公司
 Hsin Yung Plastic Industrial Co., Ltd.
 TEL: 886-2-29053771 FAX: 886-2-2997010
 Hsin Yung Plastic Electronics Factory
 TEL: 886-6-86632011 FAX: 886-6-86635843