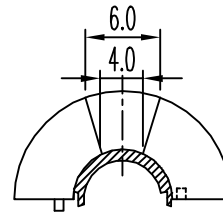
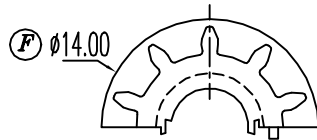
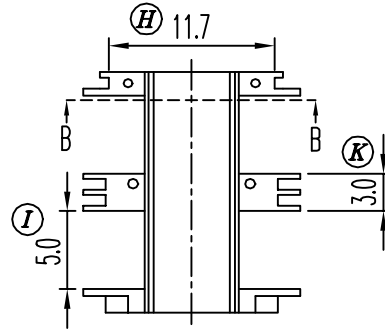
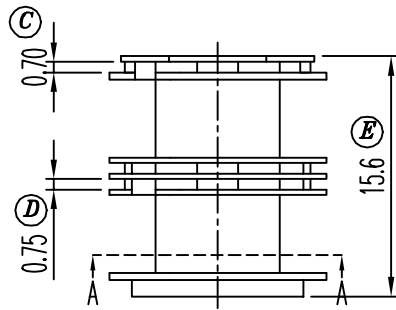


SECTION B-B



SECTION A-A

REV.	REVISION RECORD	DATE	REV.	REVISION RECORD	DATE
A			C		
B			D		

NAME	ET-20-2	MATERIAL	PBT	SCALE	2/1	ANGLE:	$\pm 1^\circ$
DRAWING NO.	HY 2014	PIN MATERIAL		UNIT	m/m	REV.:	A
TOLERANCE OF PIN PITCH	± 0.20		<p>信詠塑膠工業股份有限公司 HSIN YUNG PLASTIC INDUSTRIAL CO.,LTD. TEL:886-2-29953711 FAX:886-2-29990010 信詠塑膠電子廠 HSIN YUNG PLASTIC ELECTRONICS FACTORY TEL:0769-6632011 FAX:0769-6635843</p>				
PIN TENSION LOAD	MIN	UL REC.:94V-0					
TOLERANCES: 0<L<4: ± 0.1 4<L<16: ± 0.2 16<L<63: ± 0.3							