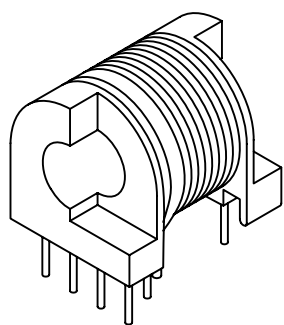
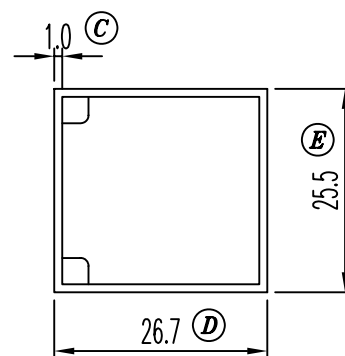
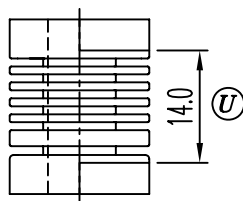
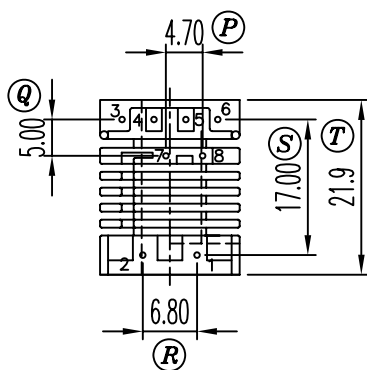
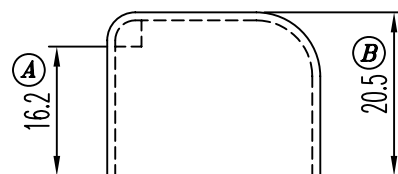
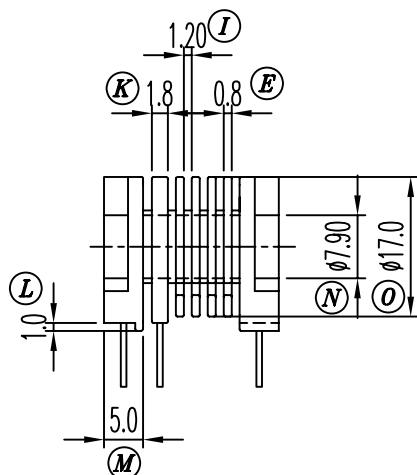
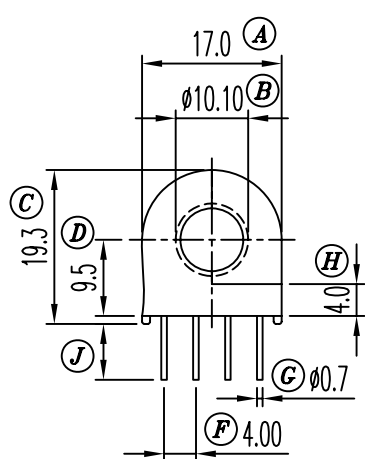
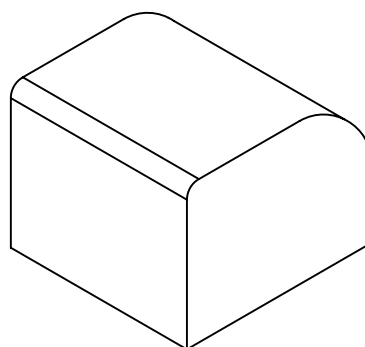


(B) RU-18



(A) RU-18(外殼)



REV.	REVISION RECORD	DATE	REV.	REVISION RECORD	DATE
A	(A) $\text{\textcircled{A}}$: 15.4	2000.6.18	C	$\text{\textcircled{B}}$: $\phi 9.10 \rightarrow \phi 10.10$	2002.12.18
B	(A) $\text{\textcircled{A}}$: 15.4 \rightarrow 16.2	2001.6.5	D		

NAME	RU-18 (8P)	MATERIAL	A:PBT B:PET	SCALE	1/1	ANGLE:	$\pm 1^\circ$
DRAWING NO.	HY 1801	PIN MATERIAL	CP WIRE	UNIT	m/m	REV.:	C
TOLERANCE OF PIN PITCH	± 0.20						
PIN TENSION LOAD	1.0kg MIN	UL REC.:94V-0					
TOLERANCES:	$0 < L \leq 4: \pm 0.1$	$4 < L \leq 16: \pm 0.2$	$16 < L \leq 63: \pm 0.3$	<p>信詠塑膠工業股份有限公司 Hsin Yung Plastic Industrial Co., Ltd. TEL: 886-2-29953711 FAX: 886-2-29990010 信詠塑膠電子廠 Hsin Yung Plastic Electronics Factory TEL: 0769-6632011 FAX: 0769-6635843</p>			