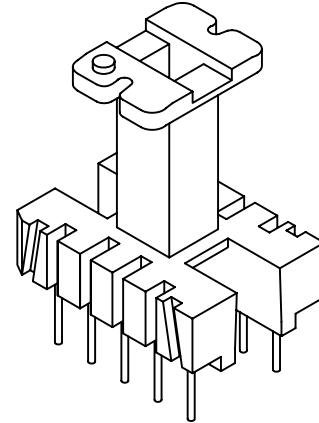
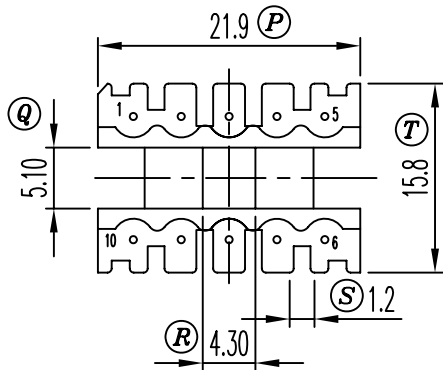
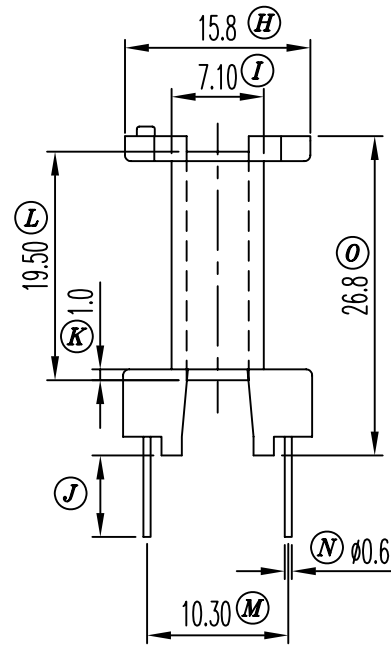
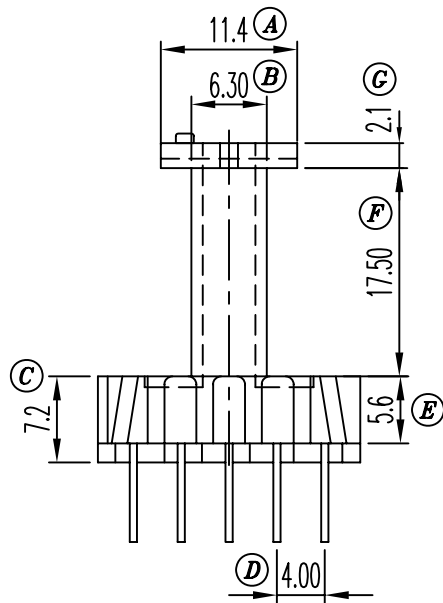

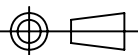




E-192738



REV.	REVISION RECORD	DATE	REV.	REVISION RECORD	DATE
A	增加防呆點！	2005.6.22	C		
B			D		

NAME	EL-16-1 (10P)	MATERIAL	PHENOLIC	SCALE	1.5/1	ANGLE:	$\pm 1^\circ$
DRAWING NO.	HY 1609	PIN MATERIAL	CP WIRE	UNIT	m/m	REV.:	B
UL REC.:94V-0	PIN TENSION LOAD: 1.0kg MIN		 信詠塑膠工業股份有限公司 HSIN YUNG PLASTIC INDUSTRIAL CO.,LTD. TEL:886-2-29953711 FAX:886-2-29990010 信詠塑膠電子廠 HSIN YUNG PLASTIC ELECTRONICS FACTORY TEL:0769-86632011 FAX:0769-86635843				
TOLERANCES:	0<L<4: ± 0.1 4<L<16: ± 0.2 16<L<63: ± 0.3						
	PIN PITCH: ± 0.2 WALL THICKNESS: ± 0.15						