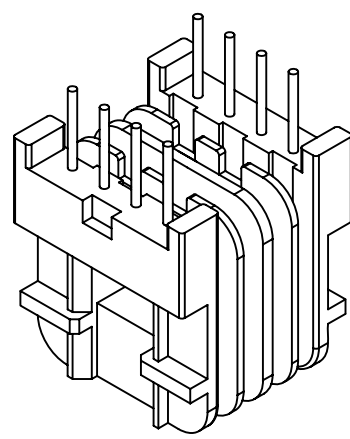
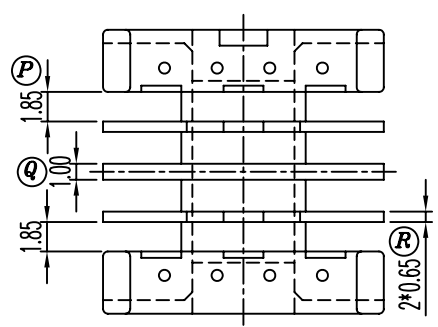
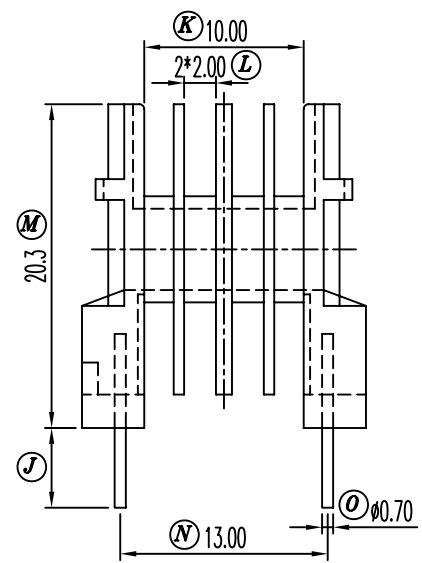
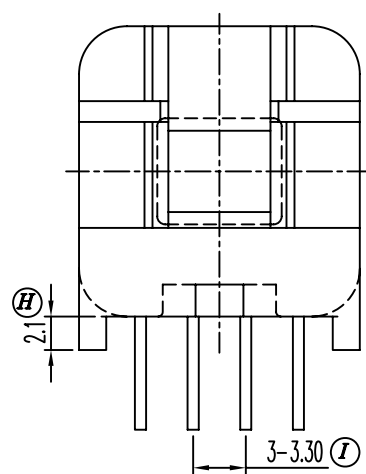


SECTION A-A



REV.	REVISION RECORD	DATE	REV.	REVISION RECORD	DATE
A			C		
B			D		

NAME	UU15.7-10 (8P)	MATERIAL	PHENOLIC	SCALE	2/1	ANGLE:	±1°
DRAWING NO.	HY 1510	PIN MATERIAL	CP WIRE	UNIT	m/m	REV.:	A
TOLERANCE OF PIN PITCH	±0.20			信詠塑膠工業股份有限公司 HSIN YUNG PLASTIC INDUSTRIAL CO.,LTD. TEL:886-2-29953711 FAX:886-2-29990010 信詠塑膠電子廠 HSIN YUNG PLASTIC ELECTRONICS FACTORY TEL:0769-6632011 FAX:0769-6635843			
PIN TENSION LOAD	1.0kg MIN	UL REC.:	94V-0				
TOLERANCES: 0<L≤4:±0.1		4<L≤16:±0.2					