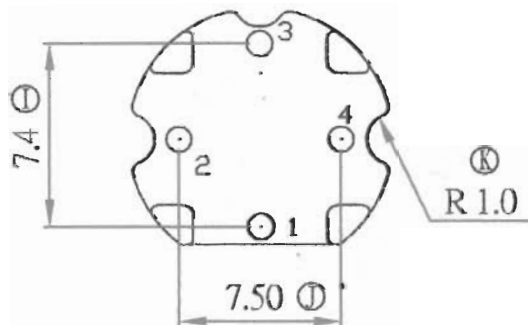




确认



REV	REV DESCRIPTION	REV	REV DESCRIPTION

BOBBIN MATERIAL: PHENOLIC	UL REC. 94V-0	ANGLE: +/-1°	TITLE: NEW F. E. BASE	DRAWING NO. JJ B008
PIN MATERIAL: CP WIRE	PIN TENSION LOAD: 1.5KG MIN	UNIT: m/m	TOLERANCES X. X ±0.3 X. XX ±0.2	DRAWN: YANG XUE
 蘇州正傑塑膠電子有限公司 Tel:0512-3457130 Fax:0512-3457132 Add:江蘇省吳江市經濟開發區江陵北路		SCALE: 2/1	DATE: 2005.04.08	CHECKED:
			REV. 1	APPROVED: 陳郁勳 4/8