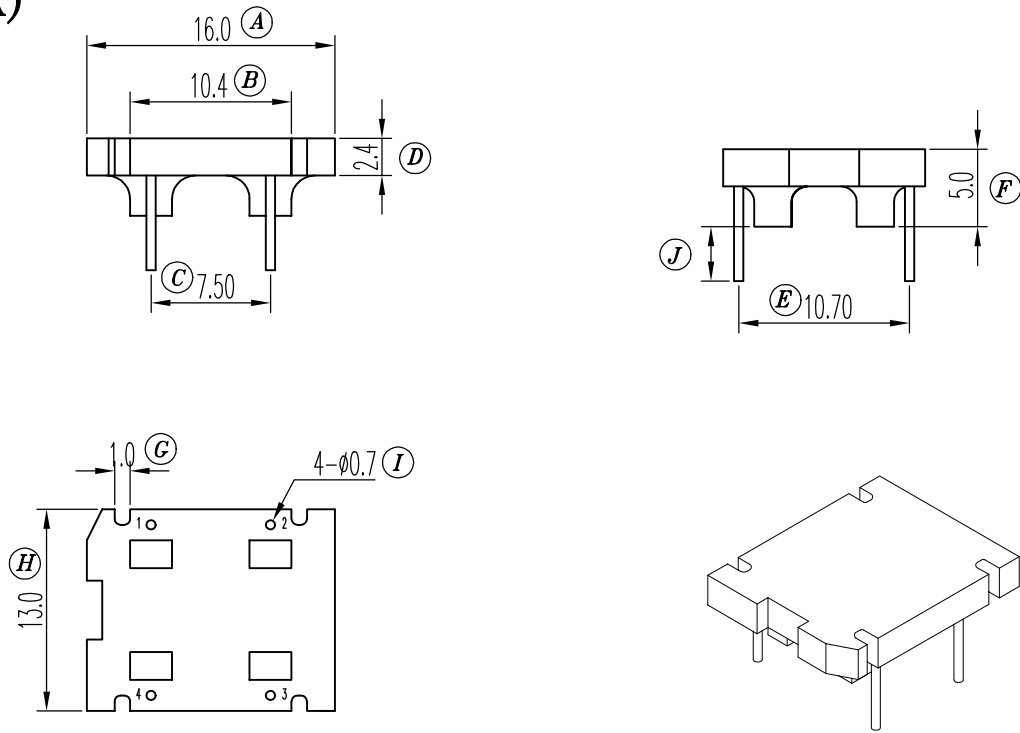
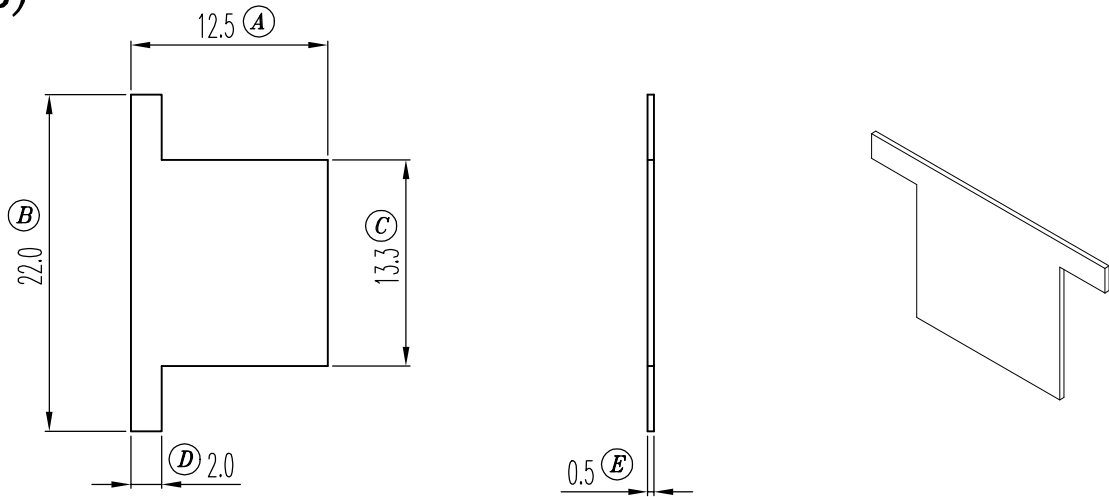


(A)



(B)



REV.	REVISION RECORD	DATE	REV.	REVISION RECORD	DATE
A			C		
B			D		

NAME	4P BASE (4P)	MATERIAL	A:T375J B:PC	SCALE	2/1	ANGLE:	$\pm 1^\circ$
DRAWING NO.	HY B044	PIN MATERIAL	CP WIRE	UNIT	m/m	REV.:	A
TOLERANCE OF PIN PITCH ± 0.20				信詠塑膠工業股份有限公司 HSIN YUNG PLASTIC INDUSTRIAL CO., LTD. TEL:886-2-29953711 FAX:886-2-29990010 信詠塑膠電子廠 HSIN YUNG PLASTIC ELECTRONICS FACTORY TEL:0769-6632011 FAX:0769-6635843			
PIN TENSION LOAD 1.0kg MIN		UL REC.:94V-0					
TOLERANCES: $0 < L \leq 4: \pm 0.1$ $4 < L \leq 16: \pm 0.2$ $16 < L \leq 63: \pm 0.3$							