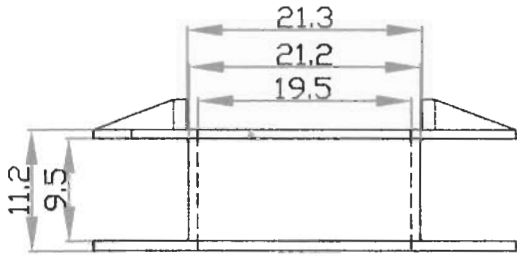
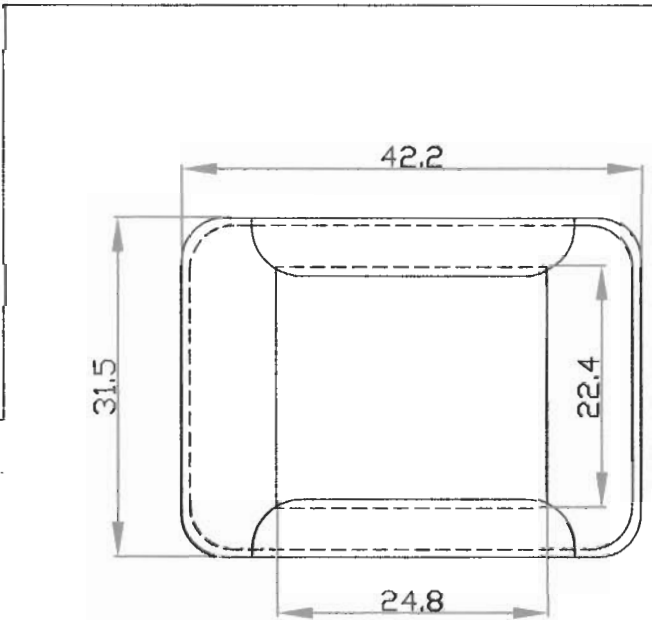
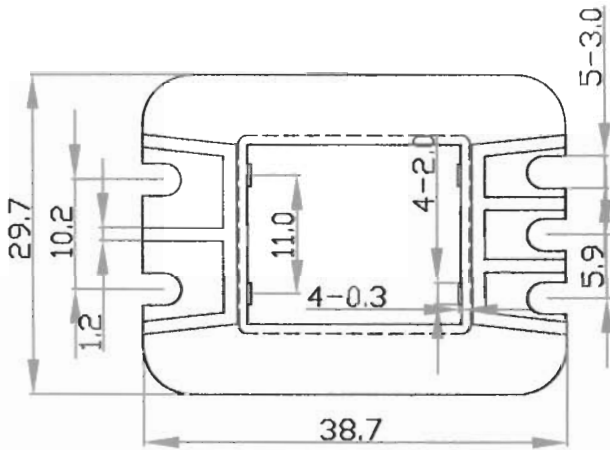
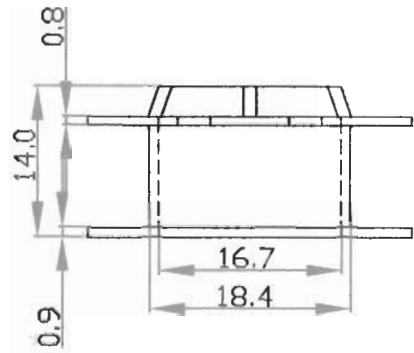


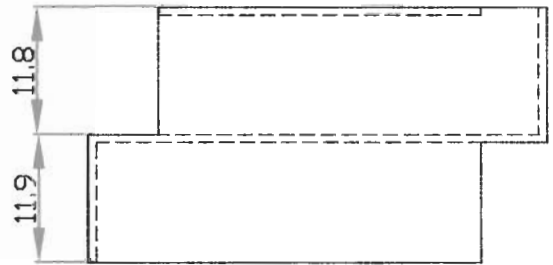
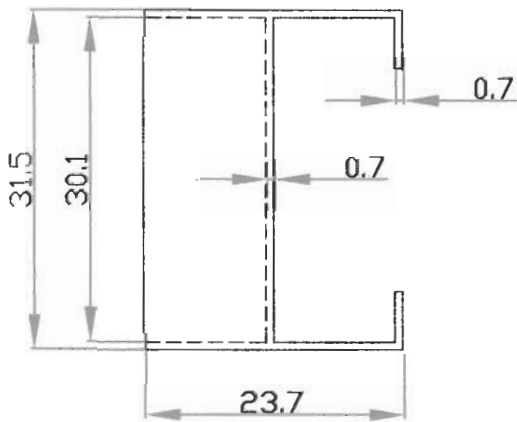
A





确认



B



REV	REV DESCRIPTION	REV	REV DESCRIPTION

BOBBIN MATERIAL: NYLON	UL REC. 94V-2	ANGLE: +/-1°	TITLE: EI-48*19(VDE)	DRAWING NO. JJ-4815
PIN MATERIAL:	PIN TENSION LOAD:	UNIT: m/m	TOLERANCES X.X ±0.3 X.XX ±0.2	DRAWN: YUAN BIN FENG
 苏州正杰塑胶电子有限公司 Tel: 0512-3457130 Fax: 0512-3457132 Add: 江苏省吴江市经济开发区江陵北路		SCALE:	DATE: SEP. 12. 2003	REV. 0
			APPROVED:	 孙睿谦 2004.5.21