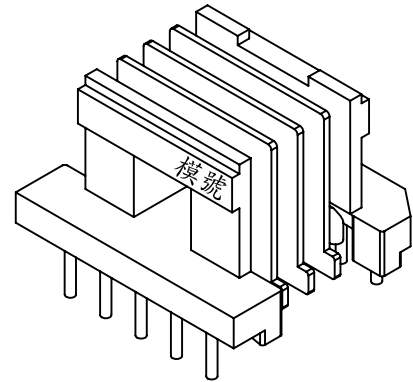
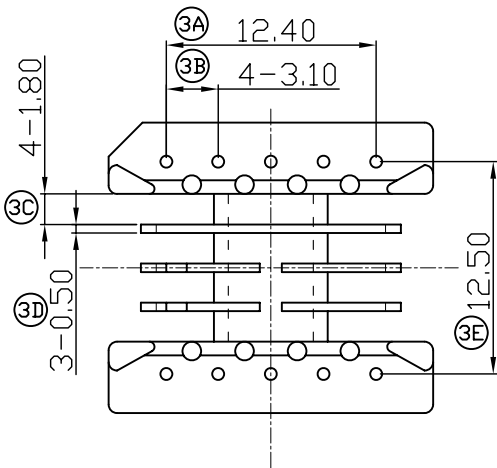
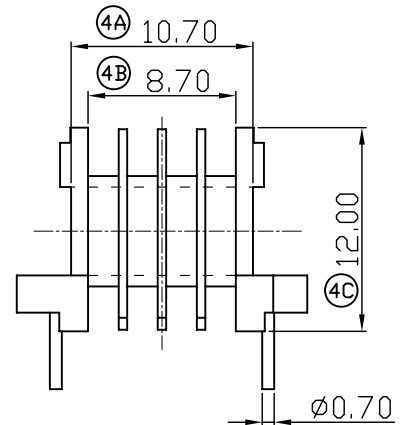
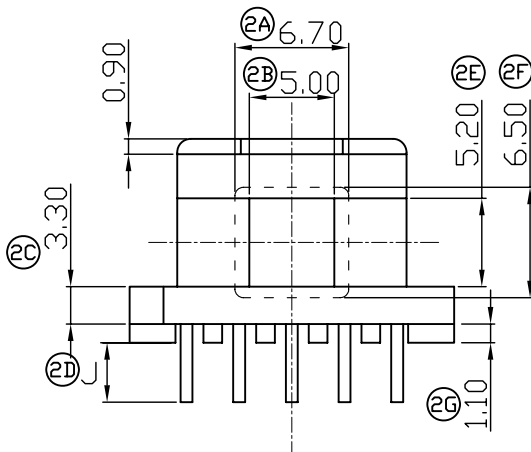
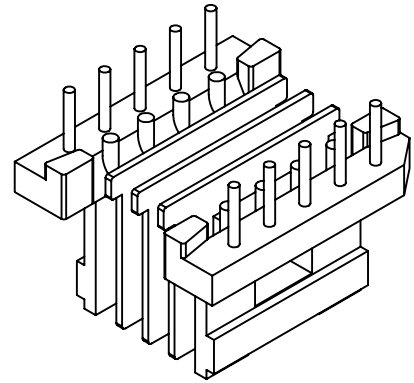
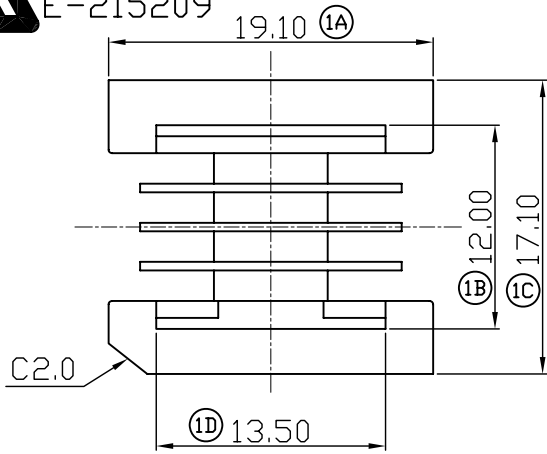


® **AL** E-215209



REV	CHANGED CAUSES	CHANGED DATE	REV	CHANGED CAUSES	CHANGED DATE
1	圖面更新	2006-08-13			

BOBBIN MATERIAL: PHENOLIC(PM9630)	UL REC: 94V-0	ANGLE: ±1°	TITLE: EE19臥式(10P)	DRAWING NO: JJ1923	DRAWN: 錢軍
PIN MATERIAL: CP WIRE	PIN TENSION LIAD: 0.9KG MIN	UNIT: M/M	TOLERANCES		CHECKED:

蘇州正傑塑膠電子有限公司
 TEL: 0512-63457130 FAX: 0512-63457132
 ADD: 江蘇省吳江市經濟開發區江陵西路

SCALE: 2:1	X.X X.XX 0-10 ± 0.2 ± 0.08 10-20 ± 0.3 ± 0.15 ABOVE20 ± 0.5 ± 0.25	DATE: 2006-08-13	REV: 1
---------------	---	---------------------	-----------

雷海豐
 經理
 2006.08.19
 曹炳運

