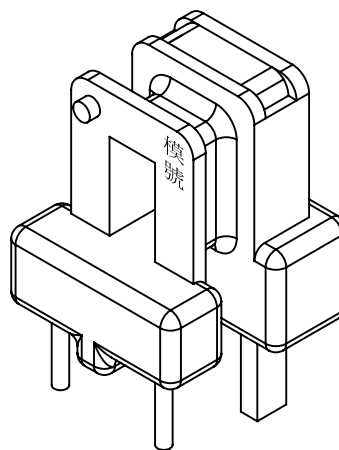
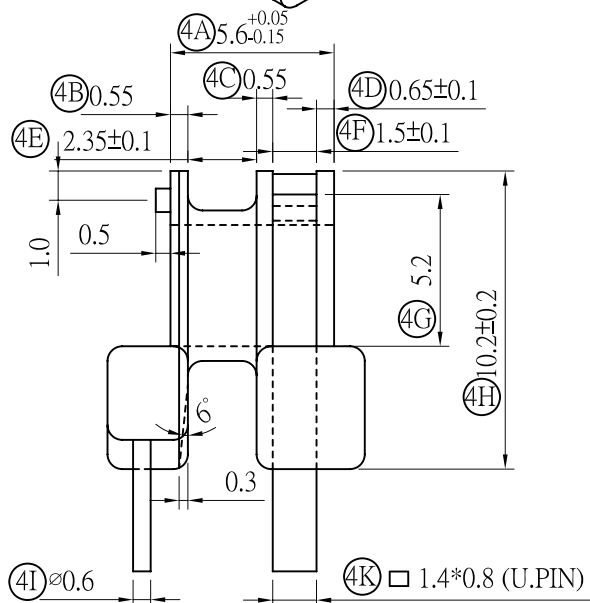
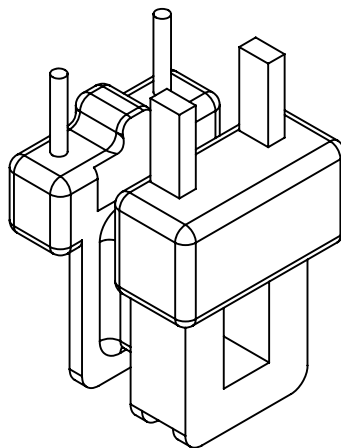
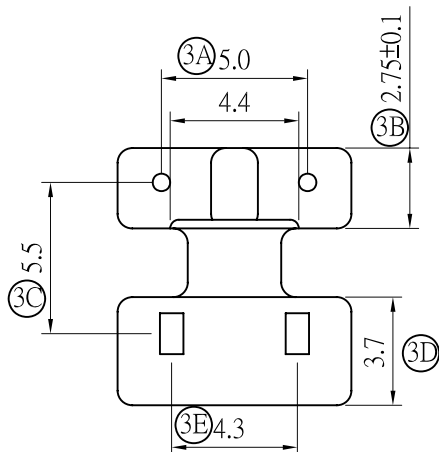
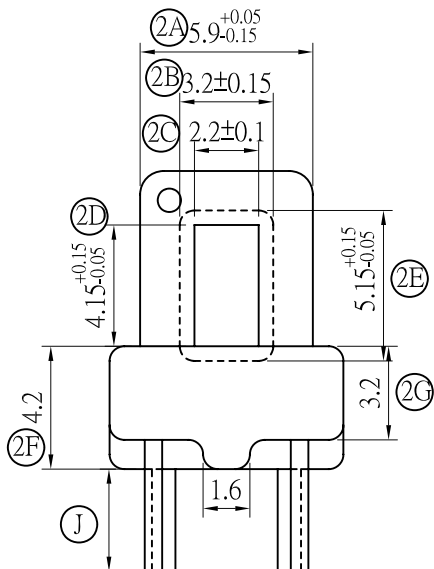
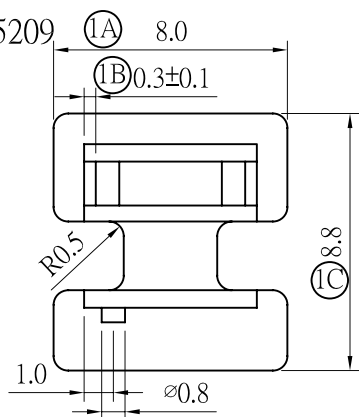




E-215209



REV	CHANGED CAUSES	CHANGED DATE	REV	CHANGED CAUSES	CHANGED DATE

BOBBIN MATERIAL: PHENOLIC UL REC: 94V-0 ANGLE: ±1° TITLE: EE8.3(4P) DRAWING NO: JJ0806 DRAWN: 劉亞平

PIN MATERIAL: CP / U WIRE PIN TENSION LIAD: ∅0.6=0.8KG U=1.2KG MIN UNIT: M/M TOLERANCES: X.X X.XX CHECKED:

SCALE: 4/1 0-10 ± 0.2 ± 0.08 10-20 ± 0.3 ± 0.15 ABOVE20 ± 0.4 ± 0.25 APPROVED: 經理 2007.06.19 曹炳運

DATE: 2007-05-26 REV: 0

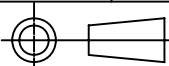


蘇州正傑塑膠電子有限公司

Suzhou Jenq Jye Plastic Electronic co., LTD

TEL: 0512-63457130 FAX: 0512-63457132

ADD: 江蘇省吳江市經濟開發區江陵西路



DATE: 2007-05-26

REV: 0