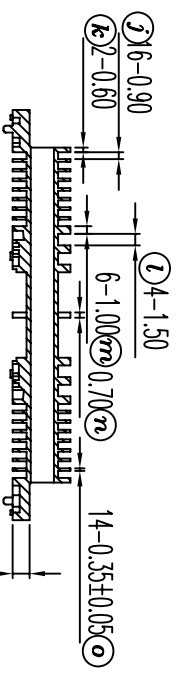
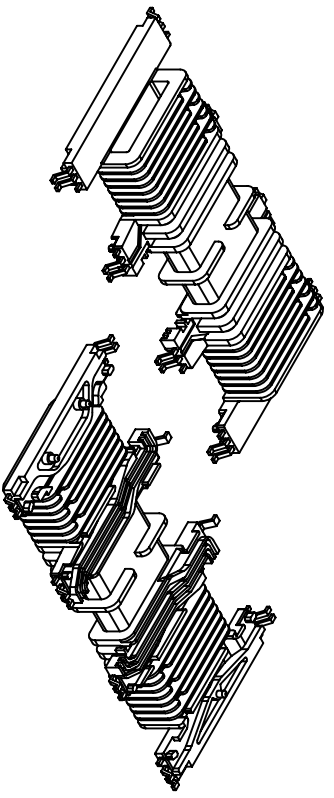


- NOTES:**
1. Unit: mm.
  2. BOBBIN material: LCP E4008.
  3. Pins material: phosphor bronze C5191.
  4. Pins plating materials: Pure tin.
  5. PIN tension load: 2.0KG MIN.
  6. Pins plating thickness: copper base plating and tin plating thickness at least 10 uM min. and Pin tip plating.



SECTION A-A

REV.	REVISION RECORD	DATE	REV.	REVISION RECORD	DATE
A			C		
B	2.90 <sup>±0.1</sup> - 3.00 <sup>±0.05</sup>		D		

NAME	EFD-2752 BOBBIN	MATERIAL	LCP-E4008	SCALE	1/1	ANGLE:	±T
DRAWING NO.	HYS2701	PIN MATERIAL	C5191 H	UNIT	m/m	REV.:	B
UL REC.: 94V-0	PIN TENSION LOAD: 2.0kg	MIN					
TOLERANCES	0<K4:±0.1 4<K16:±0.2 16<K55:±0.3						
	PIN PITCH:±0.2 WALL THICKNESS:±0.05						

信詠塑膠工業股份有限公司  
HSIN YUNG PLASTIC INDUSTRIAL CO., LTD.  
TEL: 886-2-29953711 FAX: 86-2-29990010  
信詠塑膠電子廠  
HSIN YUNG PLASTIC ELECTRONICS FACTORY  
TEL: 886-2-29953711 FAX: 86-2-29990010