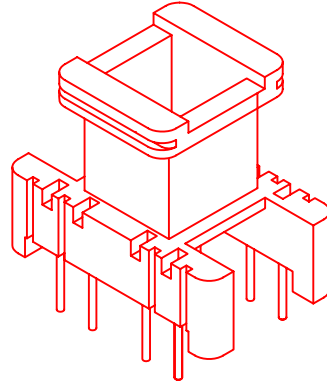
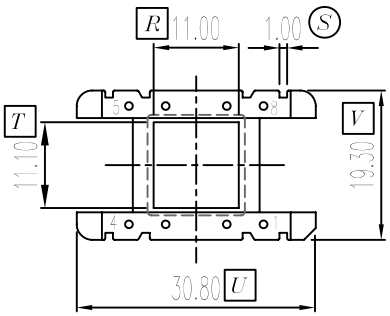
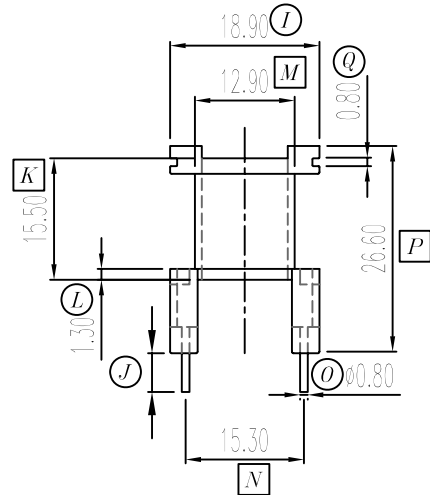
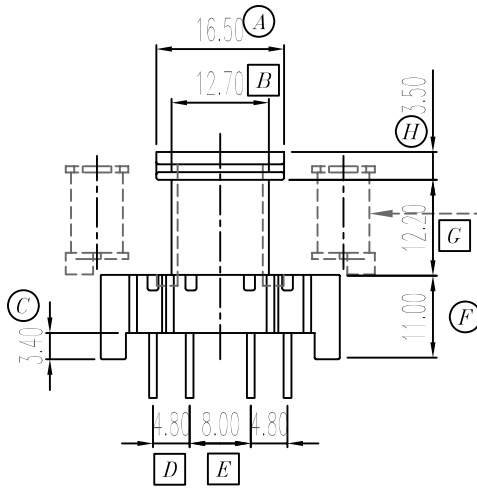
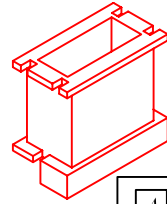
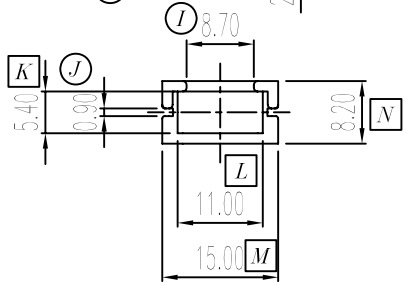
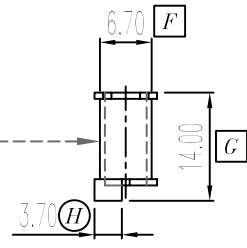
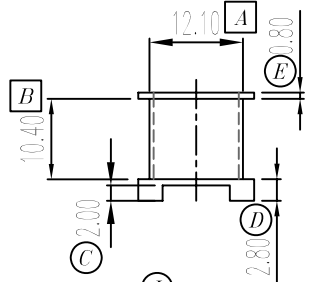


031




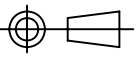
031-1



A 代表重要尺寸
A 代表次要尺寸

檢驗條件:

REV.	REVISION RECORD	DATE	REV.	REVISION RECORD	DATE
A			C		
B			D		

NAME	031 (8P)	MATERIAL	PBT	SCALE	1/1	ANGLE:	± °
DRAWING NO.	HY 3004	PIN MATERIAL	CP WIRE	UNIT	m/m	REV.:	A
UL REC.: 94V-0	PIN TENSION LOAD: 1.2kg MIN		 信詠塑膠工業股份有限公司 HSIN YUNG PLASTIC INDUSTRIAL CO.,LTD. TEL: 886-2-29953711 FAX: 886-2-29990010 信詠塑膠電子廠 HSIN YUNG PLASTIC ELECTRONICS FACTORY TEL: 0769-86632011 FAX: 0769-86635843				
TOLERANCES:	0<L<4:±0.1 4<L<16:±0.2 16<L<63:±0.3						
	PIN PITCH:±0.2 WALL THICKNESS:±0.15						